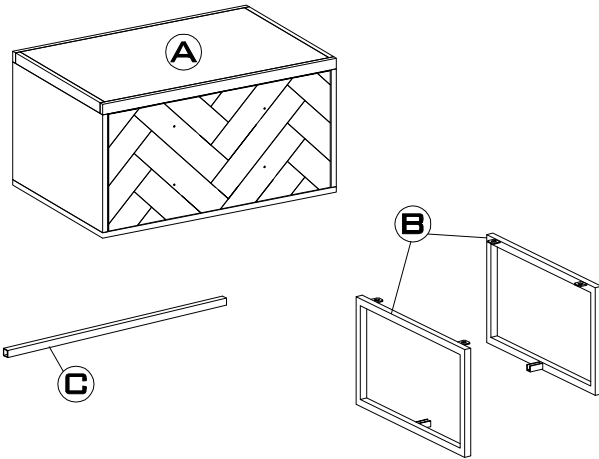


ASSEMBLY INSTRUCTIONS

MOSAIC NIGHTSTAND



PARTS CHECK LIST

CODE	COMPONENTS	QTY
Ⓐ	BODY	x01
Ⓑ	METAL LEG	x02
Ⓒ	METAL STRETCHER	x01

Hardware Check List

Code	Description	Image	qty
01	long bol t		x04
02	short bol t		x02
03	spring washer		x04
04	fl at washer		x06
05	al len key		x01

- PLEASE DO NOT DISCARD ANY OF THE PACKAGING UNTIL YOU HAVE CHECKED ALL THE PARTS AND THE PACKS OF HARDWARE.
 - BEFORE YOU BEGIN TO ASSEMBLE YOUR NEW PIECE OF FURNITURE, PLEASE CHECK TO ENSURE THAT ALL PARTS HAVE BEEN SUPPLIED.
 - FOLLOW INSTRUCTIONS CLOSELY AS DEVIATION FROM THEM MAY VOID YOUR WARRANTY AND PRESENT A POSSIBLE SAFETY RISK.
 - IT IS RECOMMENDED THAT ASSEMBLY IS DONE ON A SOFT SURFACE LIKE CARPET TO AVOID ANY DAMAGE.
 - PERIODICALLY CHECK AND RE-TIGHTEN ANY FASTENERS. WIPE DOWN ALL SURFACES WEEKLY WITH A CLEAN CLOTH. DO NOT CLEAN ANY SURFACES WITH HARSH ABRASIVES OR CHEMICALS.

PHILLIPS HEAD SCREWDRIVER
 TOOL NEEDED (NOT INCLUDED)

