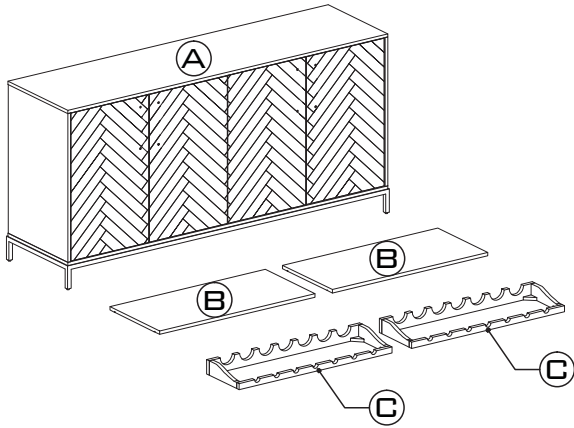


ASSEMBLY INSTRUCTIONS NOUVEAU MEDIA SIDEBORD



PARTS CHECK LIST

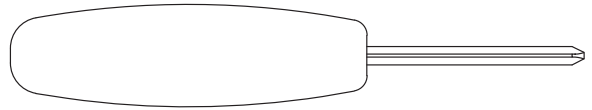
CODE	COMPONENTS	QTY
(A)	BODY	x01
(B)	SHELF	x02
(C)	WINE RACK	x02

HARDWARE CHECK LIST

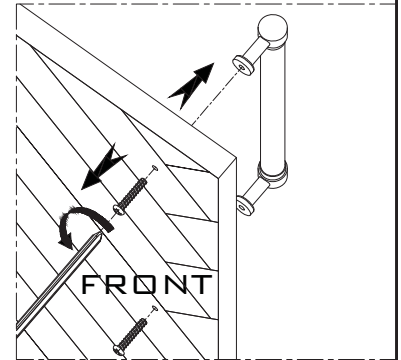
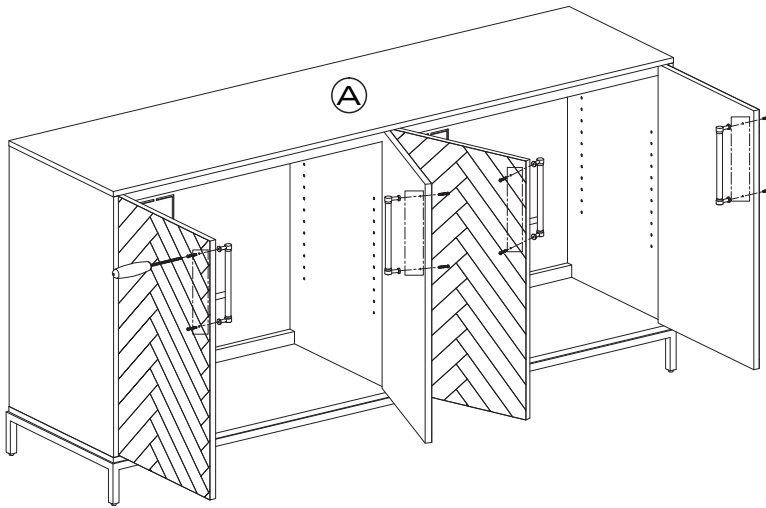
CODE	DESCRIPTION	QTY
(D1)	SHELF PIN	x08

- PLEASE DO NOT DISCARD ANY OF THE PACKAGING UNTIL YOU HAVE CHECKED ALL THE PARTS AND THE PACKS OF HARDWARE.
- BEFORE YOU BEGIN TO ASSEMBLE YOUR NEW PIECE OF FURNITURE, PLEASE CHECK TO ENSURE THAT ALL PARTS HAVE BEEN SUPPLIED.
- FOLLOW INSTRUCTIONS CLOSELY AS DEVIATION FROM THEM MAY VOID YOUR WARRANTY AND PRESENT A POSSIBLE SAFETY RISK.
- IT IS RECOMMENDED THAT ASSEMBLY IS DONE ON A SOFT SURFACE LIKE CARPET TO AVOID ANY DAMAGE.
- PERIODICALLY CHECK AND RE-TIGHTEN ANY FASTENERS. WIPE DOWN ALL SURFACES WEEKLY WITH A CLEAN CLOTH. DO NOT CLEAN ANY SURFACES WITH HARSH ABRASIVES OR CHEMICALS.

PHILLIPS HEAD SCREWDRIVER TOOL NEEDED
(NOT INCLUDED)

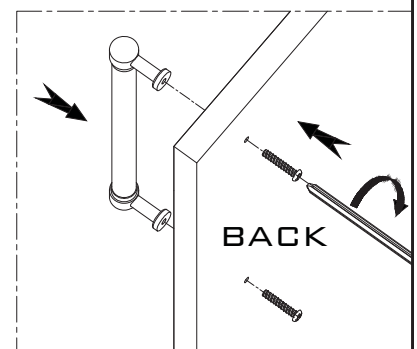
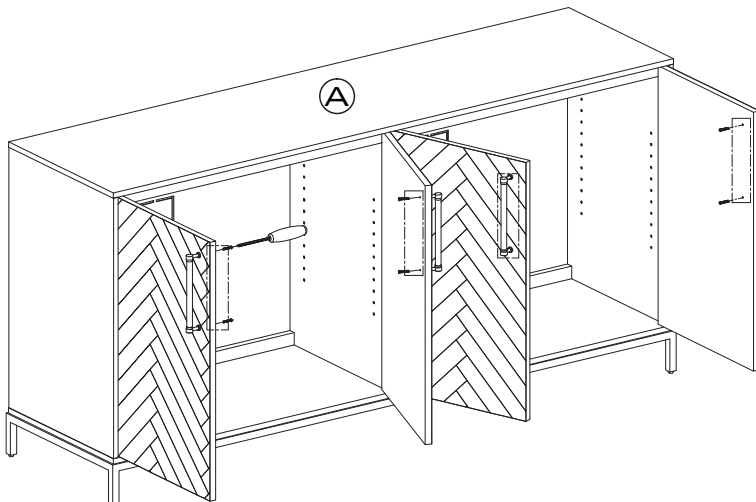


1.

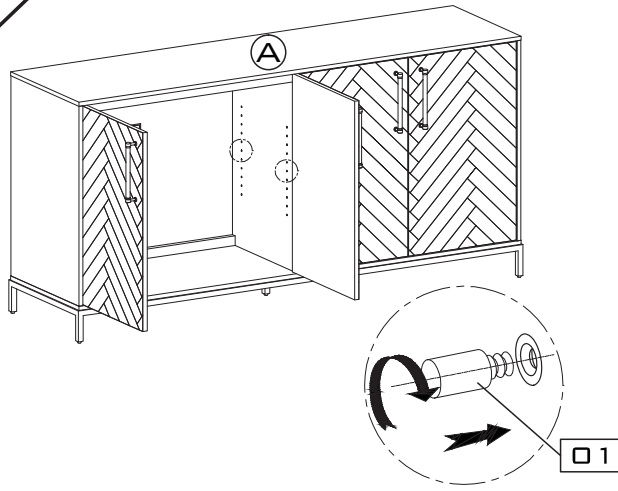


(HANDLE INSIDE)

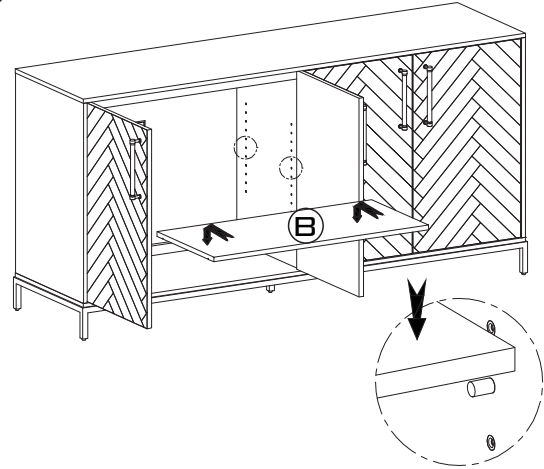
2.



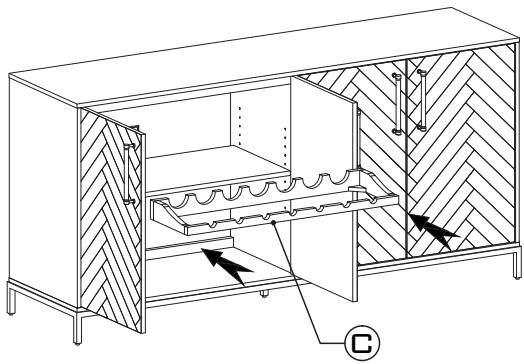
3.



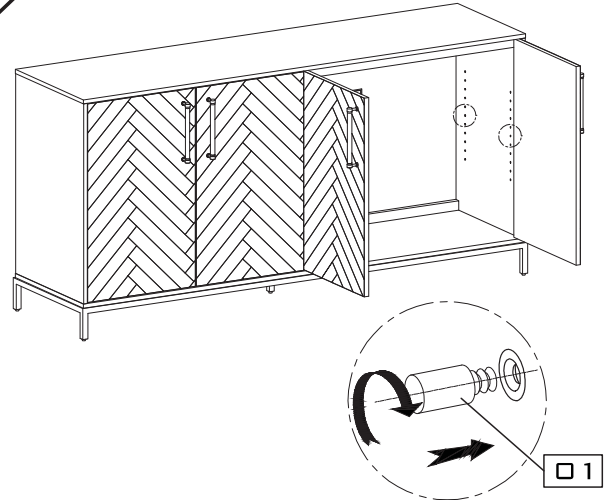
4.



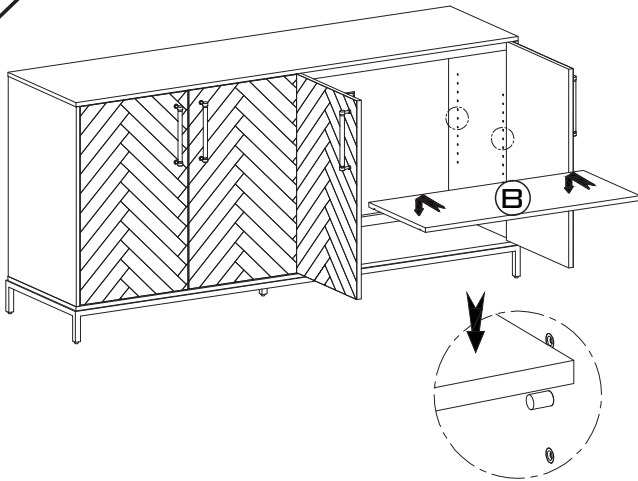
5.



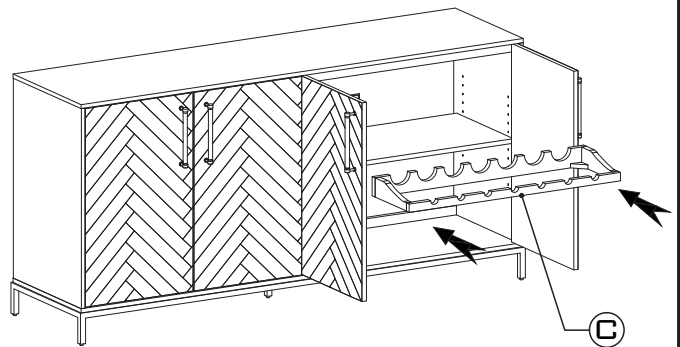
6.



7.



8.



9.

