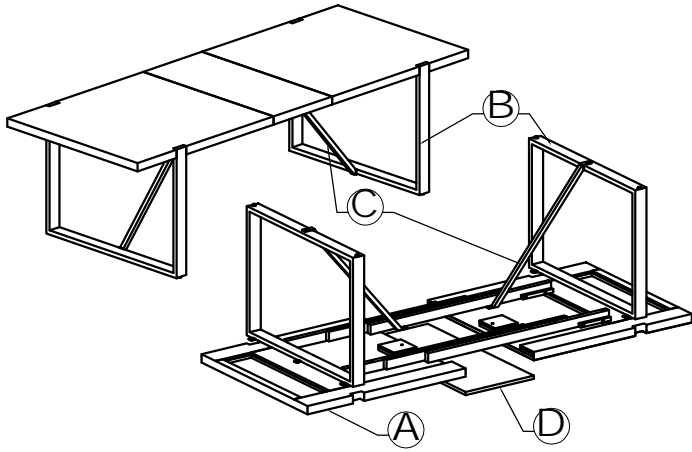


# ASSEMBLY INSTRUCTIONS

## GAGE EXTENSION DINING TABLE



### PARTS CHECK LIST

CODE	COMPONENTS	QTY
Ⓐ	TABLE TOP	x01
Ⓑ	LEG	x02
Ⓒ	STRETCHER	x02
Ⓓ	LEAF TOP	x01

### HARDWARE CHECK LIST

CODE	DESCRIPTION	QTY
01	Allen bolt	x12
02	Pan head bolt	x02
03	Spring washer	x12
04	Flat washer	x12
05	Allen key	x01

- PLEASE DO NOT DISCARD ANY OF THE PACKAGING UNTIL YOU HAVE CHECKED ALL THE PARTS AND THE PACKS OF HARDWARE.  
 - BEFORE YOU BEGIN TO ASSEMBLE YOUR NEW PIECE OF FURNITURE, PLEASE CHECK TO ENSURE THAT ALL PARTS HAVE BEEN SUPPLIED.  
 - FOLLOW INSTRUCTIONS CLOSELY AS DEVIATION FROM THEM MAY VOID YOUR WARRANTY AND PRESENT A POSSIBLE SAFETY RISK.  
 - IT IS RECOMMENDED THAT ASSEMBLY IS DONE ON A SOFT SURFACE LIKE CARPET TO AVOID ANY DAMAGE.  
 - PERIODICALLY CHECK AND RE-TIGHTEN ANY FASTENERS. WIPE DOWN ALL SURFACES WEEKLY WITH A CLEAN CLOTH. DO NOT CLEAN ANY SURFACES WITH HARSH ABRASIVES OR CHEMICALS.

