

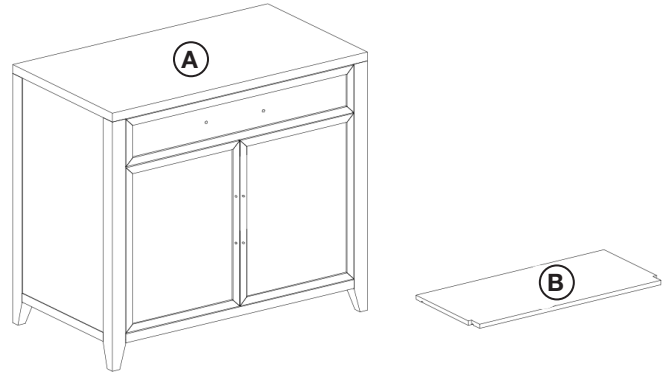


ASSEMBLY INSTRUCTIONS | HOLLAND MEDIA CHEST

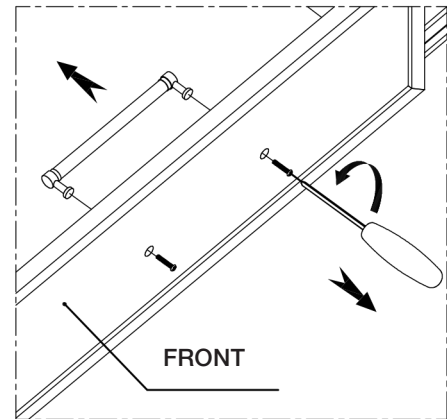
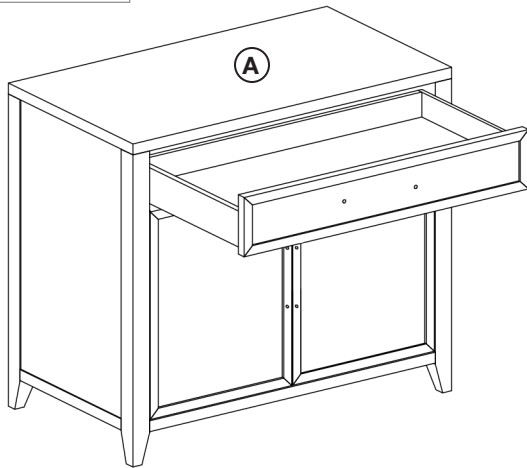
PARTS CHECKLIST	
A	Body (1 pc)
B	Shelf (1 pc)

HARDWARE CHECKLIST		
01		Shelf Pin (4 pcs)
		Screwdriver (NOT Included)



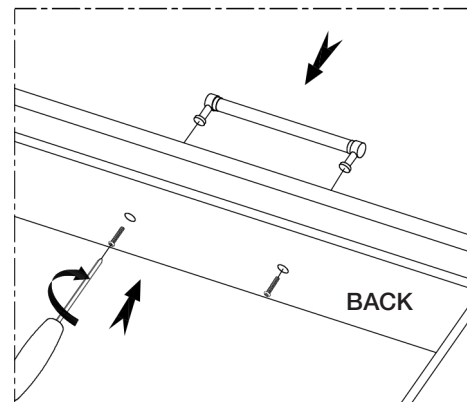
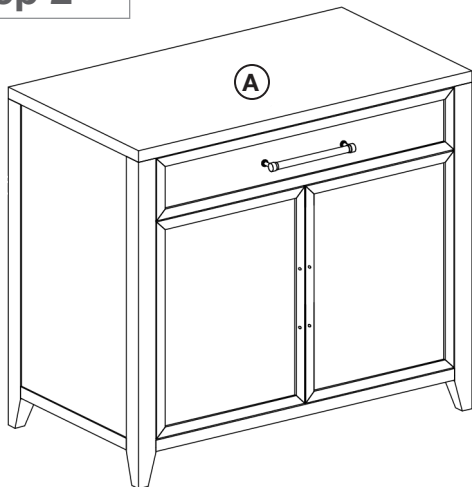
Please do not begin assembly or discard any packaging until you have checked that all the parts and hardware are present. Follow instructions closely as deviation from them may void your warranty and present a possible safety risk. It is recommended that assembly is done on a soft surface to avoid any damage. Periodically check and re-tighten any fasteners. Wipe down all surfaces weekly with a clean cloth. Do not clean any surfaces with harsh abrasives or chemicals.

Step 1



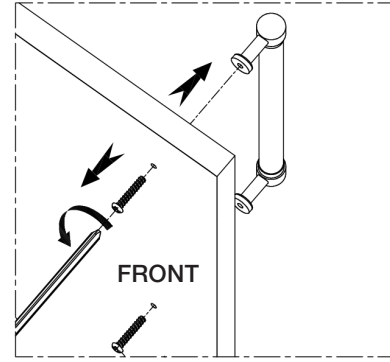
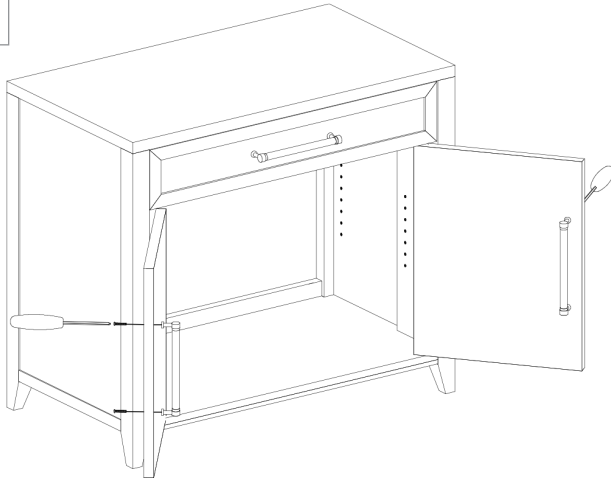
(Handle Inside)

Step 2



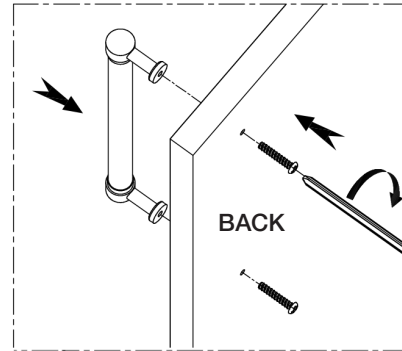
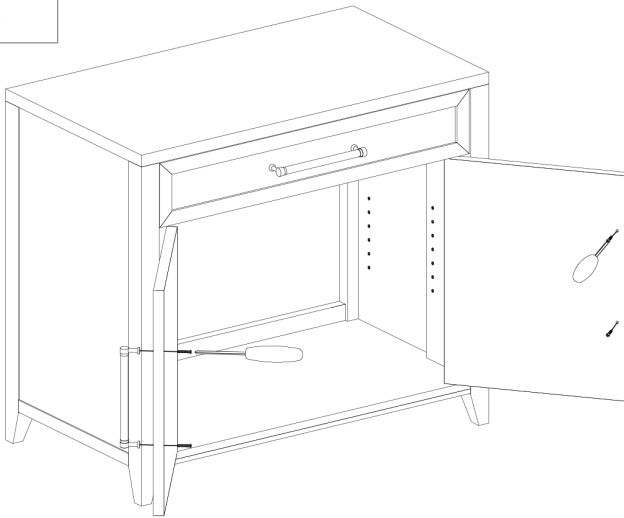
ASSEMBLY INSTRUCTIONS | HOLLAND MEDIA CHEST

Step 3

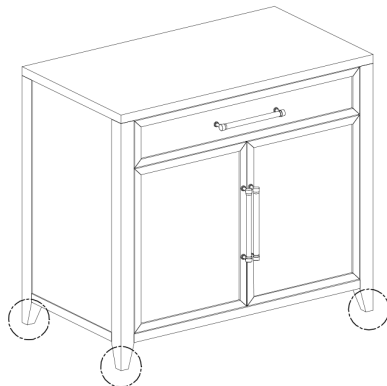
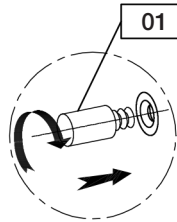
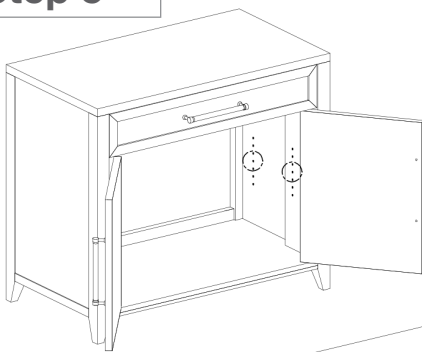


(Handle Inside)

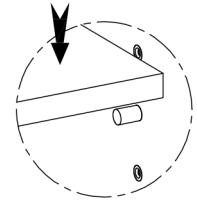
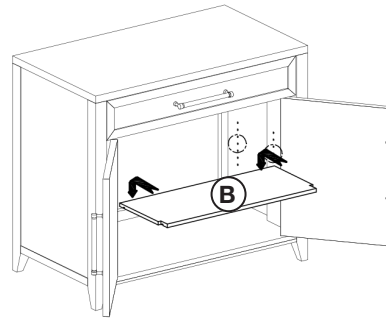
Step 4



Step 5



Step 6

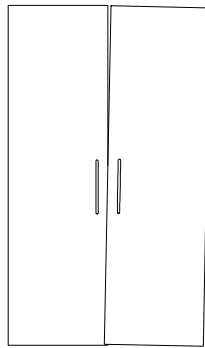


Adjust
Feet Levelers

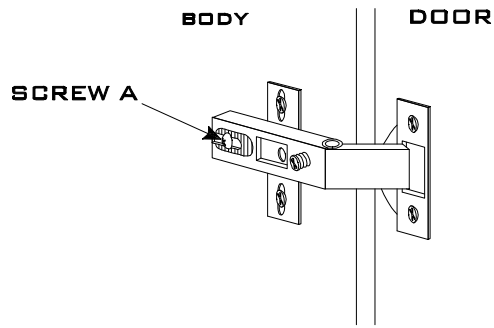


HINGE ADJUSTMENT INSTRUCTIONS

LATERAL MOVEMENT

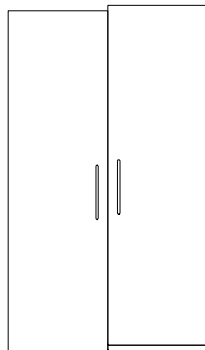


WHAT IT LOOKS LIKE
- THE RIGHT AND LEFT SIDES OF THE DOOR
WILL NOT BE FLUSH WITH THE SIDE PANEL.

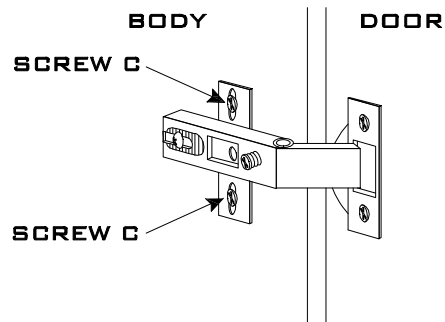


HOW TO FIX IT
- TO MOVE THE DOOR TOWARDS OR AWAY FROM THE CENTRE
OF THE UNIT, LOOSEN SCREW "A". ADJUST THE DOOR
AND THEN TIGHTEN SCREW "A".

VERTICAL MOVEMENT

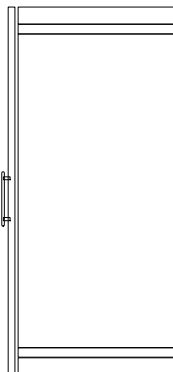


WHAT IT LOOKS LIKE
- THE TOP AND BOTTOM OF THE DOOR
WILL NOT BE FLUSH WITH THE VERTICAL PANEL.

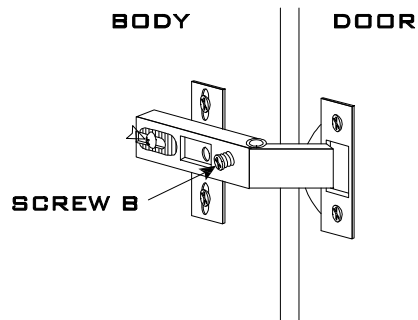


HOW TO FIX IT
- TO MOVE THE DOOR TOWARDS OR AWAY FROM
THE HORIZONTAL PANELS, LOOSEN SCREWS "C". ADJUST
THE DOOR AND THEN TIGHTEN SCREWS "C".

HORIZONTAL MOVEMENT



WHAT IT LOOKS LIKE
- THE DOOR WILL APPEAR TOO FAR
OR TOO CLOSE FROM THE FRONT EDGE
OF THE SIDE PANEL LEAVING A GAP
BEHIND THE DOOR.



HOW TO FIX IT
- TO MOVE THE DOOR TOWARDS OR AWAY FROM THE UNIT,
ADJUST SCREW "B" AND MOVE THE DOOR FORWARDS OR
BACKWARDS UNTIL THERE IS AN EVEN GAP BETWEEN
THE DOOR AND THE FRONT EDGE OF THE SIDE PANEL.