



BEAKMAN - LOW BOOKCASE

1500 x 400 x 710 mmH

ASSEMBLY INSTRUCTIONS



10 MIN



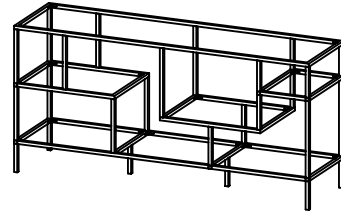
A x 1pc



B x 5pcs

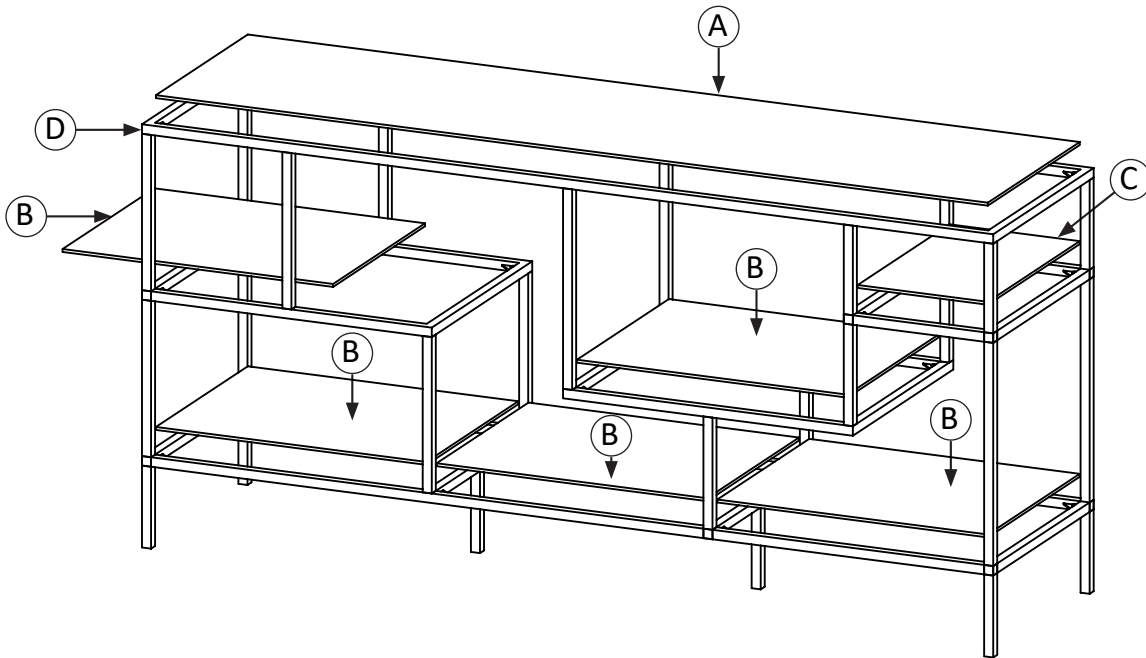


C x 1pc



D x 1pc

Step 1



Step 2

