

ASSEMBLY INSTRUCTIONS

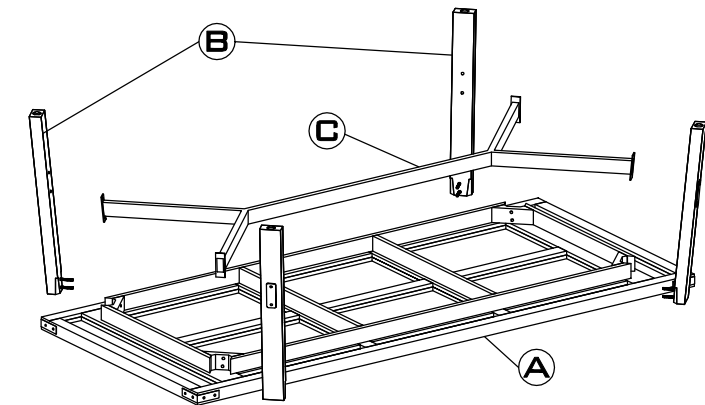
KLEIN DINING TABLE

PARTS CHECK LIST

CODE	COMPONENTS	QTY
(A)	TOP TABLE	X01
(B)	LEG	X04
(C)	METAL STRETCHER	X01

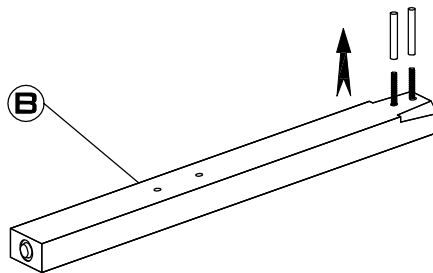
HARDWARE CHECK LIST

CODE	DESCRIPTION	QTY
01	NUT	X08
02	SPRING WASHER	X08
03	FLAT WASHER	X08
04	ALLEN BOLT	X08
05	SPANNER	X01
06	ALLEN KEY	X01



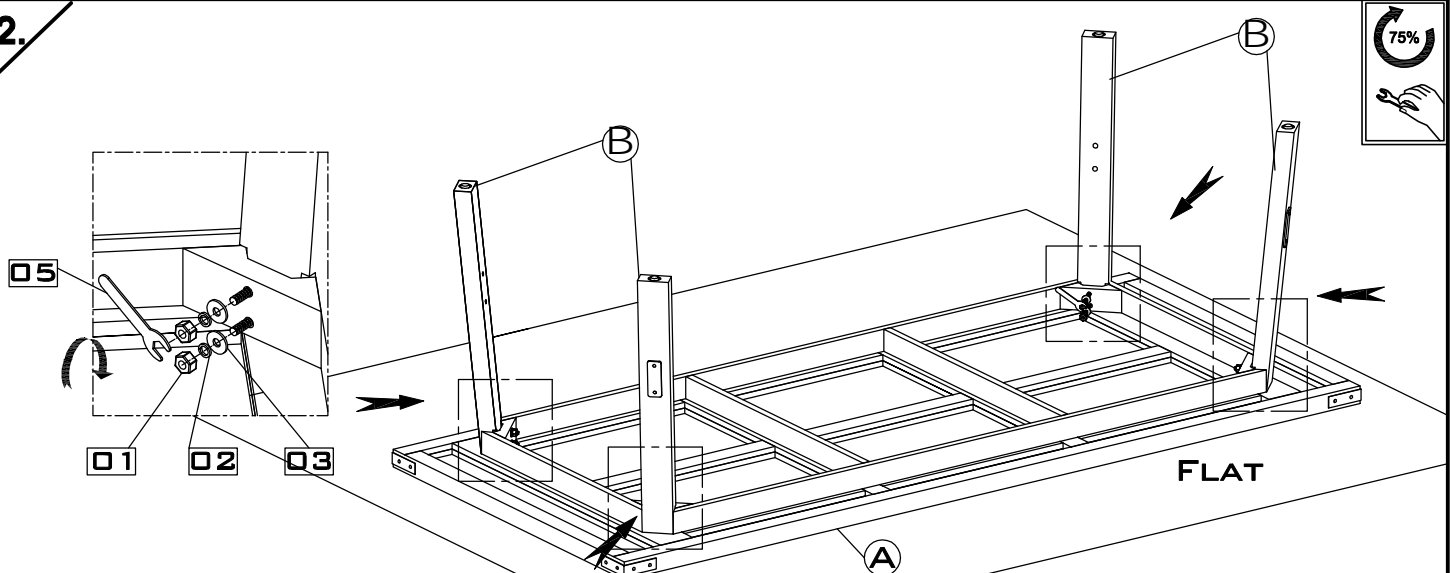
- PLEASE DO NOT DISCARD ANY OF THE PACKAGING UNTIL YOU HAVE CHECKED ALL THE PARTS AND THE PACKS OF HARDWARE.
- BEFORE YOU BEGIN TO ASSEMBLE YOUR NEW PIECE OF FURNITURE, PLEASE CHECK TO ENSURE THAT ALL PARTS HAVE BEEN SUPPLIED.
- FOLLOW INSTRUCTIONS CLOSELY AS DEVIATION FROM THEM MAY VOID YOUR WARRANTY AND PRESENT A POSSIBLE SAFETY RISK.
- IT IS RECOMMENDED THAT ASSEMBLY IS DONE ON A SOFT SURFACE LIKE CARPET TO AVOID ANY DAMAGE.
- PERIODICALLY CHECK AND RE-TIGHTEN ANY FASTENERS. WIPE DOWN ALL SURFACES WEEKLY WITH A CLEAN CLOTH. DO NOT CLEAN ANY SURFACES WITH HARSH ABRASIVES OR CHEMICALS.

1.



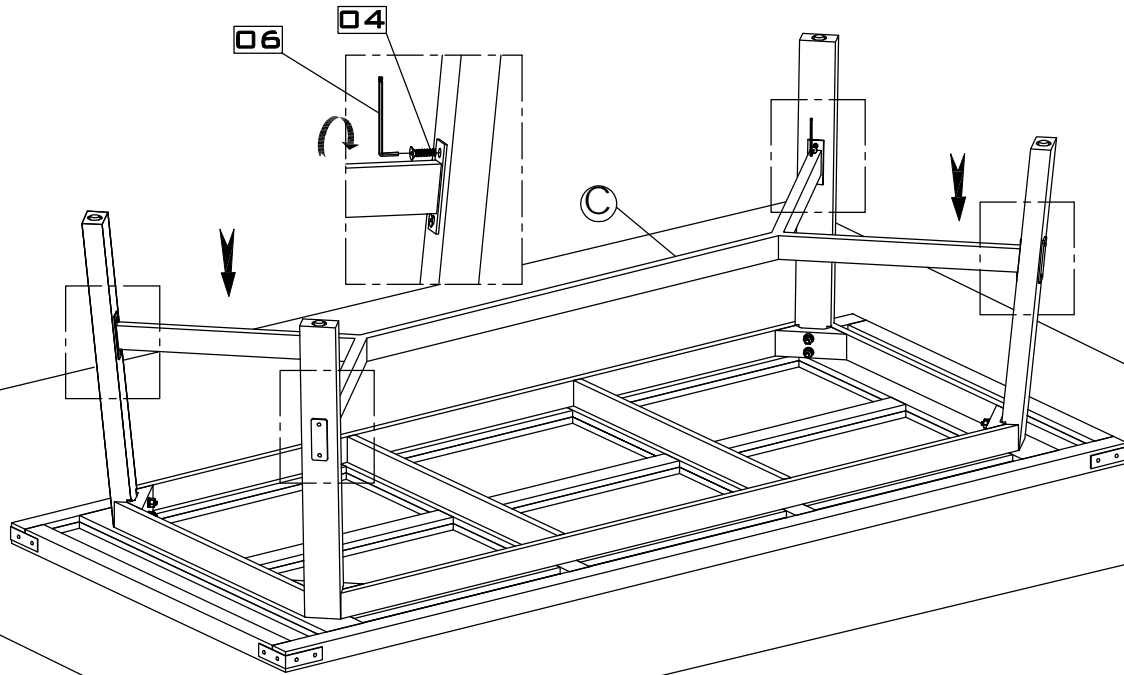
Remove plastic cover on bolts

2.

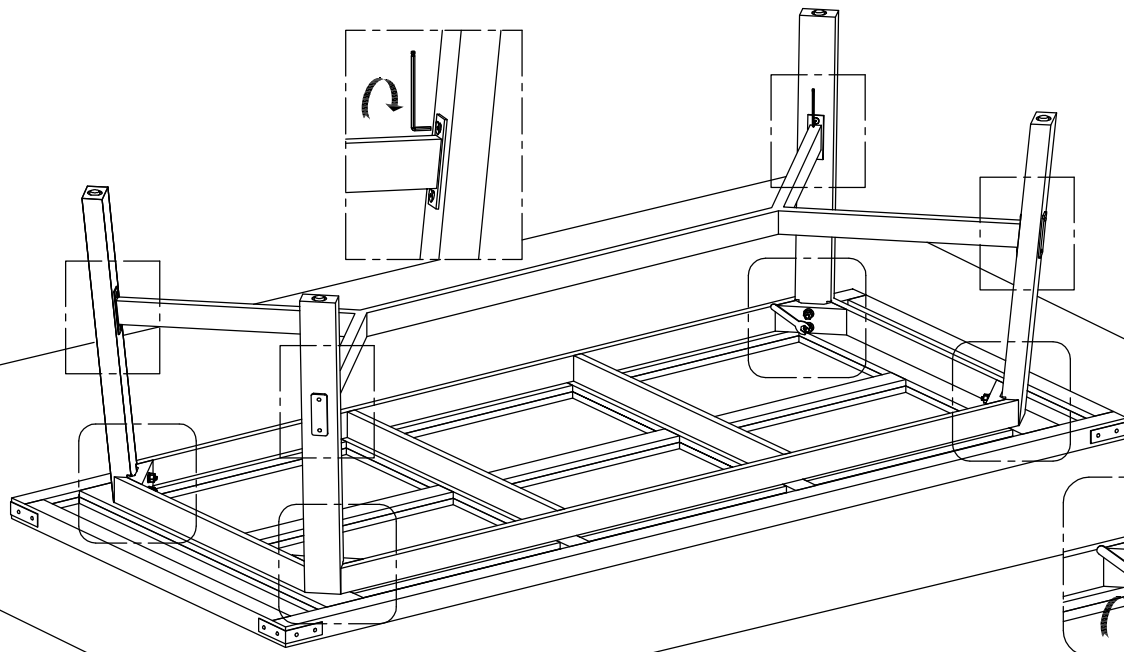


ASSEMBLY INSTRUCTIONS KLEIN DINING TABLE

3.



4.



5.

