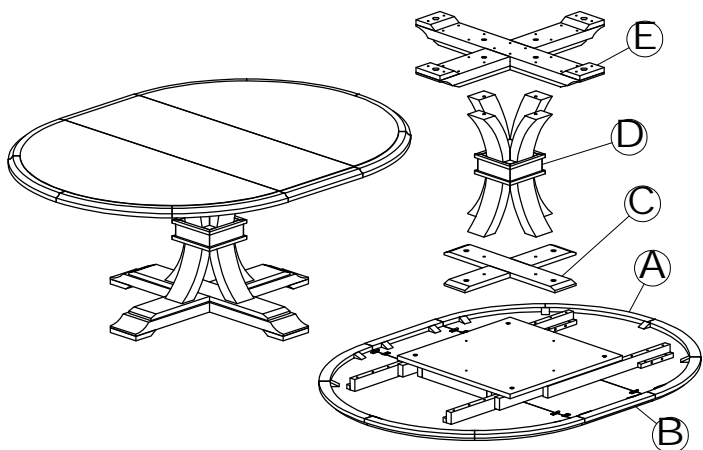


ASSEMBLY INSTRUCTIONS

DEVON ROUND EXTENSION DINING TABLE



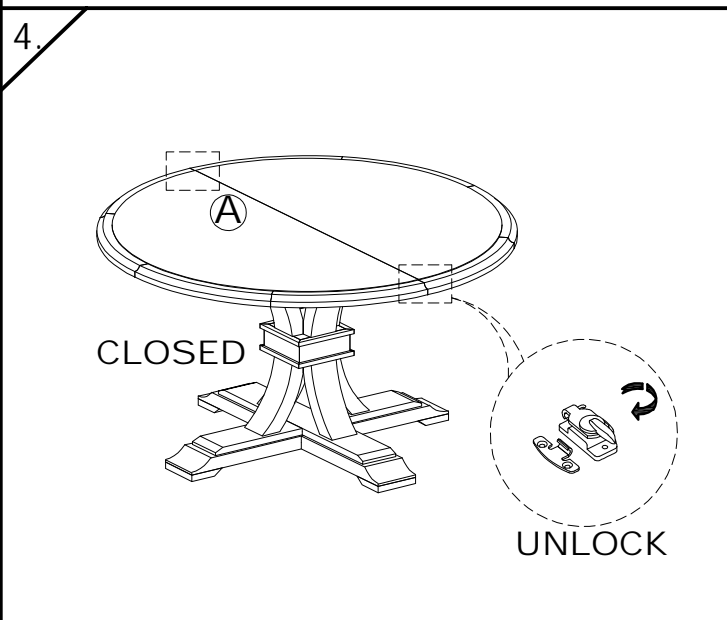
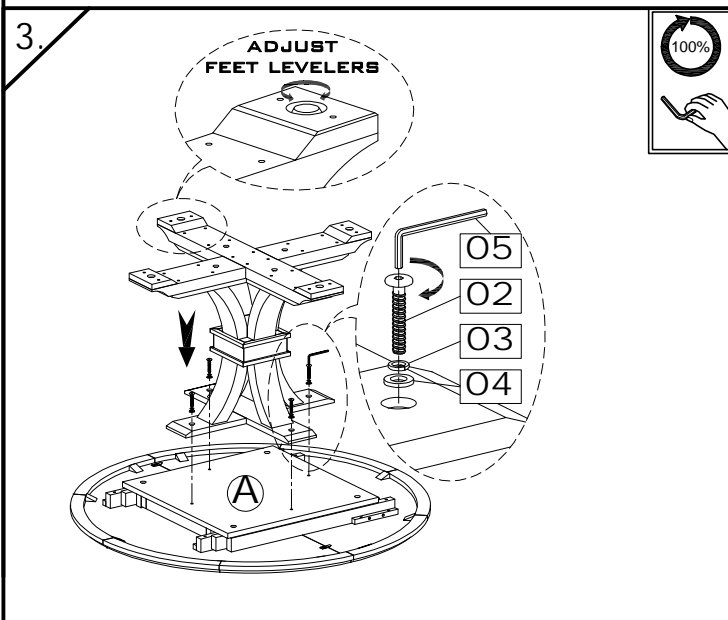
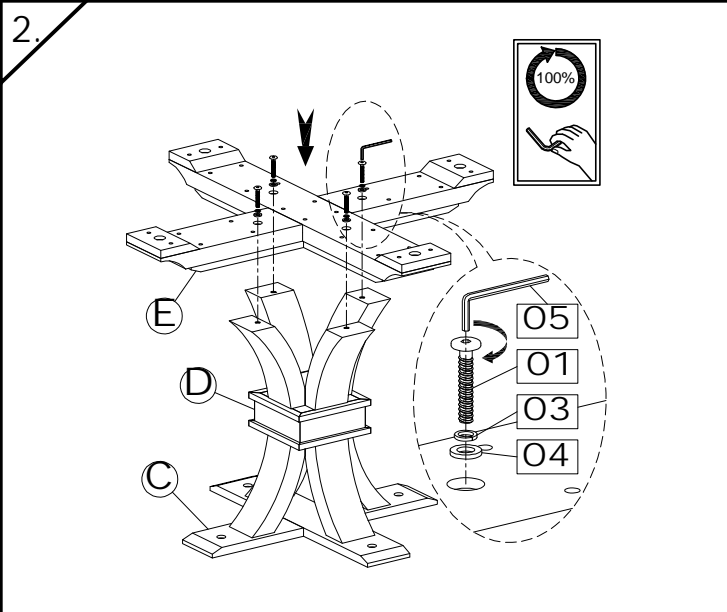
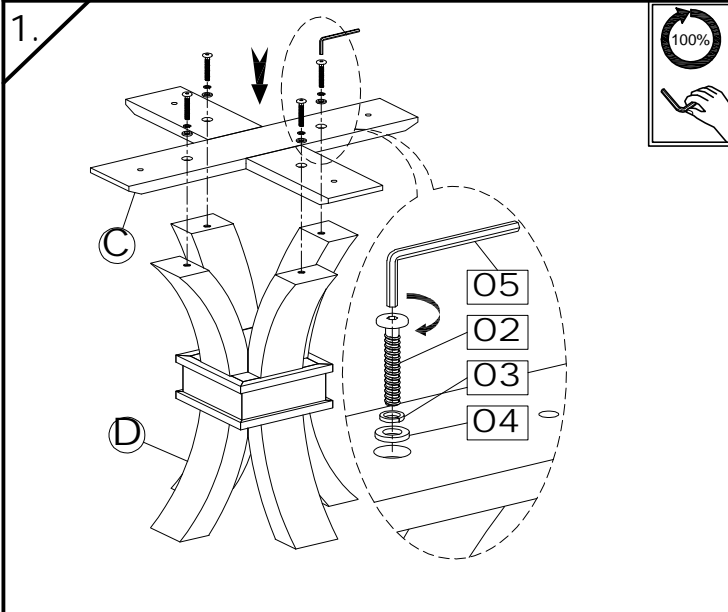
Parts Check List

Code	Components	Qty
(A)	TABLE TOP	x01
(B)	LEAF TABLE TOP	x01
(C)	TOP LEG	x01
(D)	CENTER LEG	x01
(E)	BOTTOM LEG	x01

Fittings Check List

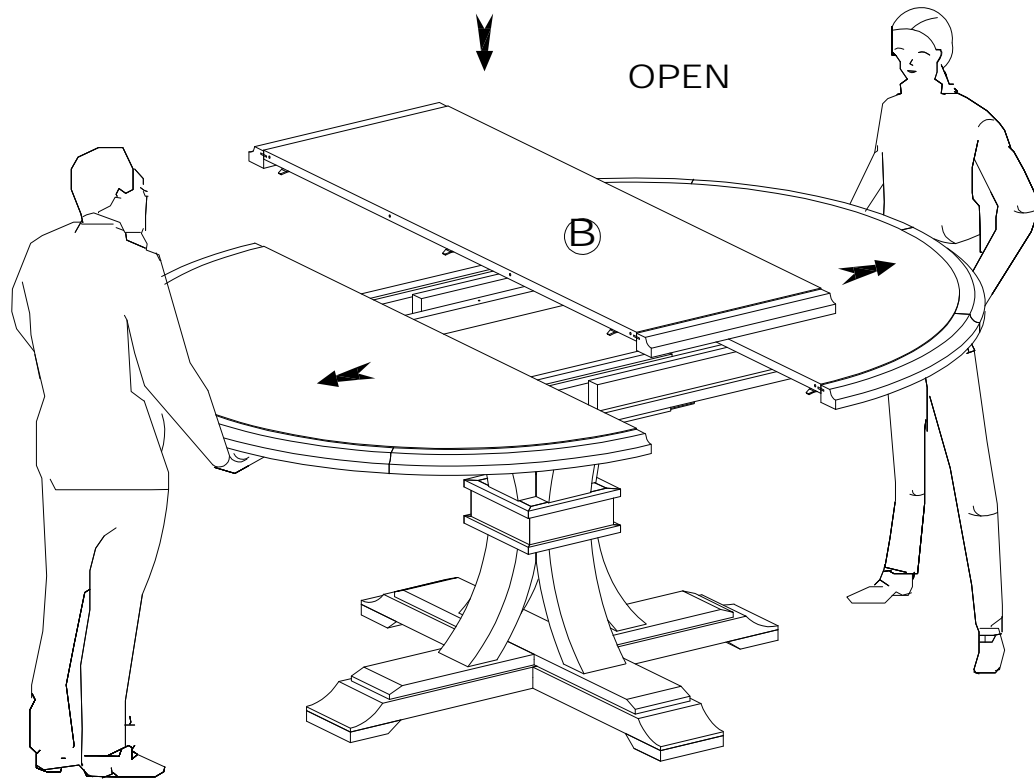
code	description	qty
01	Long bol t	x04
02	Short bol t	x08
03	Spring washer	x12
04	Fl at washer	x12
05	All en key	x01

- PLEASE DO NOT DISCARD ANY OF THE PACKAGING UNTIL YOU HAVE CHECKED ALL THE PARTS AND THE HARDWARE PACKAGES.
 - BEFORE YOU BEGIN TO ASSEMBLE YOUR NEW PIECE OF FURNITURE, PLEASE CHECK TO ENSURE THAT ALL PARTS HAVE BEEN SUPPLIED.
 - FOLLOW INSTRUCTIONS CLOSELY AS DEVIATION FROM THEM MAY VOID YOUR WARRANTY AND PRESENT A POSSIBLE SAFETY RISK.
 - IT IS RECOMMENDED THAT ASSEMBLY IS DONE ON A SOFT SURFACE LIKE CARPET TO AVOID ANY DAMAGE.
 - PERIODICALLY CHECK AND RE-TIGHTEN ANY FASTENERS. WIPE DOWN ALL SURFACES WEEKLY WITH A CLEAN CLOTH. DO NOT CLEAN ANY SURFACES WITH HARSH ABRASIVES OR CHEMICALS.



ASSEMBLY INSTRUCTIONS DEVON ROUND EXTENSION DINING TABLE

5.



LOCK

