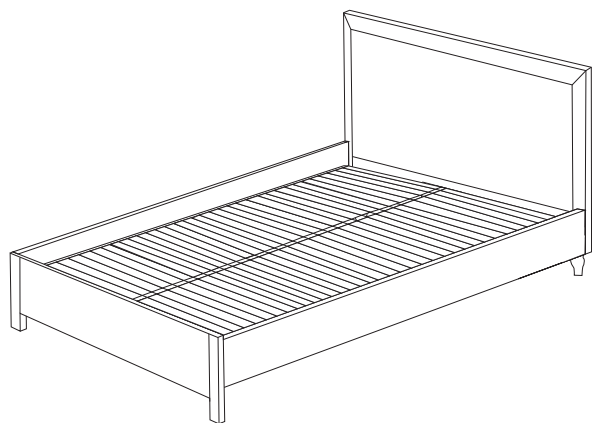


ASSEMBLY INSTRUCTIONS


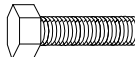

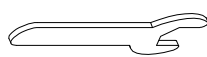
ROSETTE BED

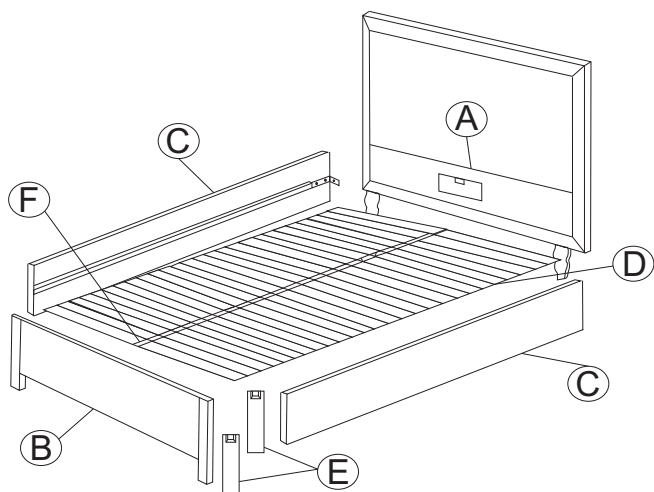


PARTS CHECKLIST

CODE	COMPONENTS	QTY.
(A)	HEADBOARD	X1
(B)	FOOTBOARD	X1
(C)	SIDE RAILS	X2
(D)	WOOD SLATS	X2
(E)	CENTER LEGS	X2
(F)	MIDDLE SUPPORT RAIL	X1

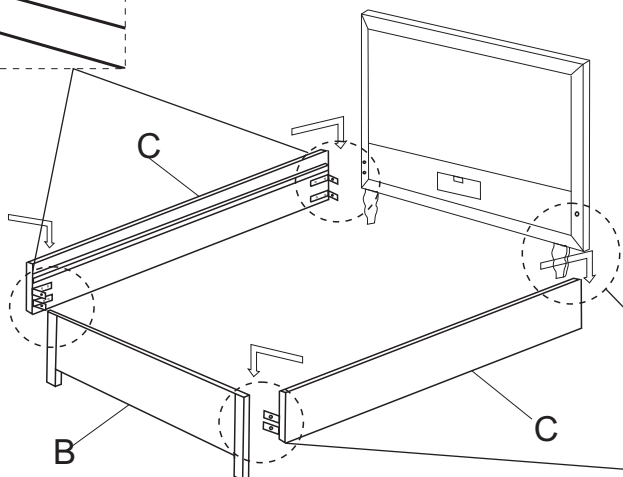
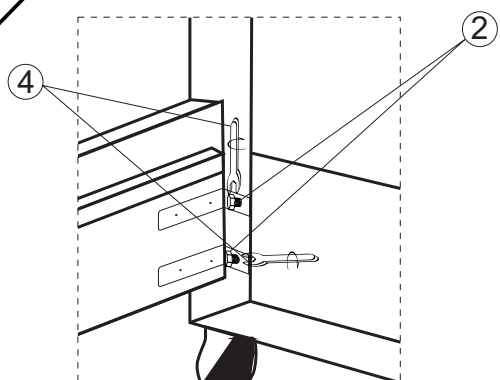
HARDWARE CHECKLIST

CODE	DESCRIPTION	QTY.
01.	ALLEN KEY 	X1
02.	HEXAGON BOLT (20X8MM) 	X8
03.	ALLEN BOLT (30X8MM) 	X12
04.	WRENCH (20X22MM) 	X1

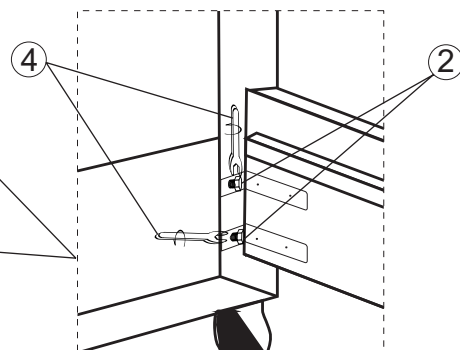


PLEASE DO NOT DISCARD ANY OF THE PACKAGING UNTIL YOU HAVE CHECKED ALL THE PARTS AND THE PACKS OF HARDWARE.

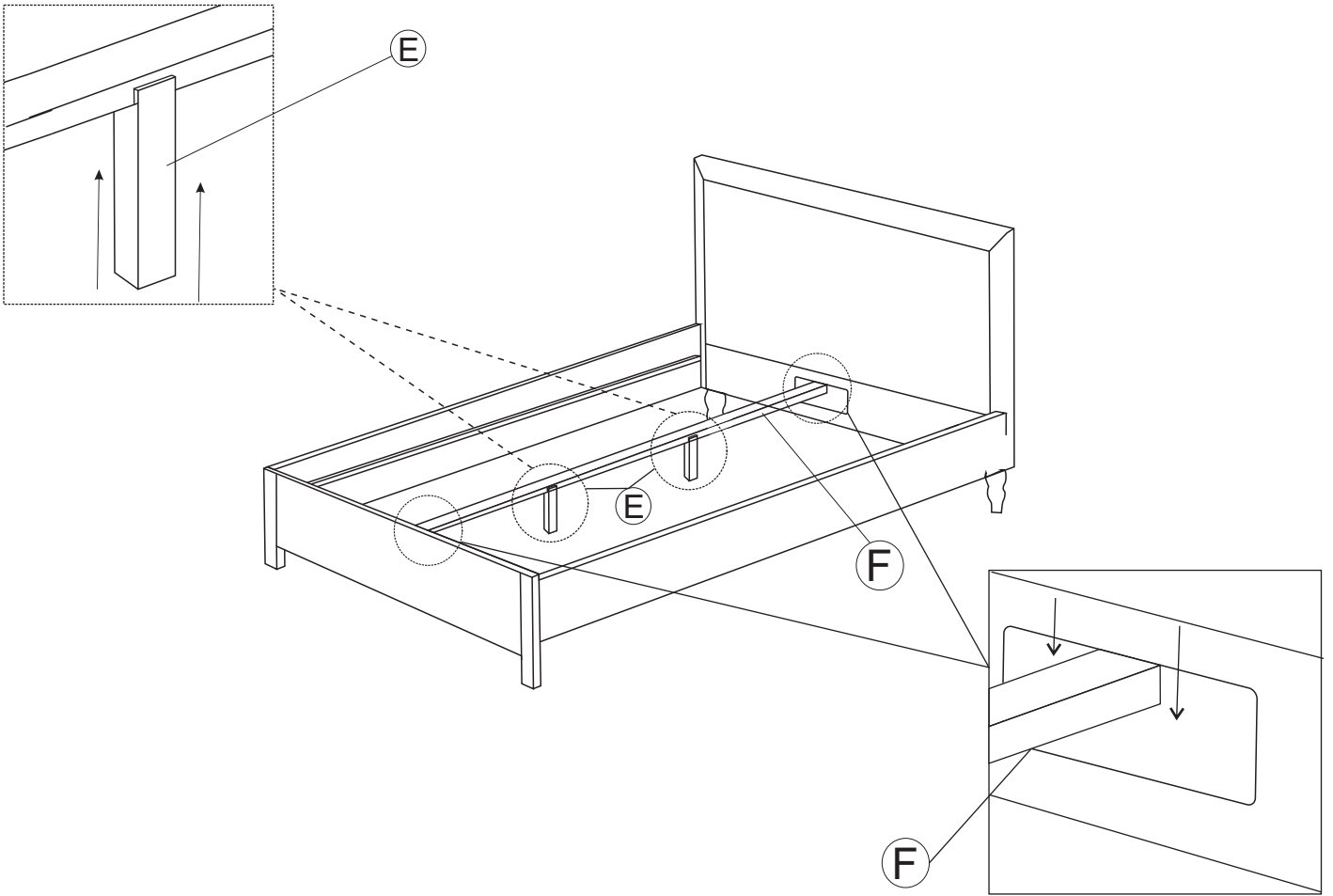
1. FIRST LEFT



SECOND RIGHT



2



3.

