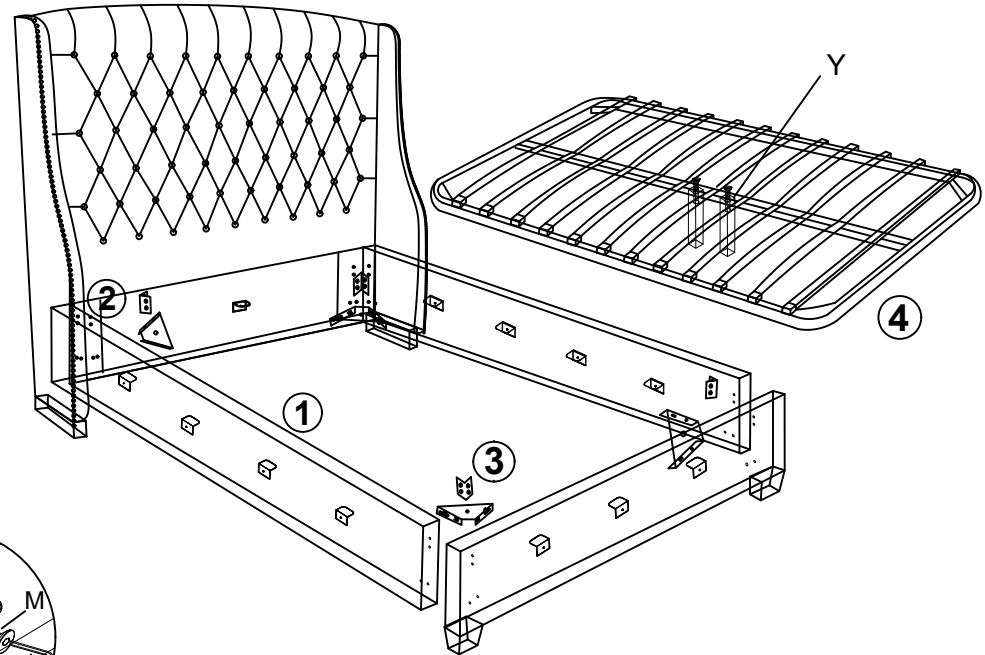
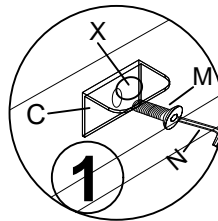


# SLOAN BED ASSEMBLY INSTRUCTIONS



Install slat brackets as shown



| PARTS LIST |        |                                |
|------------|--------|--------------------------------|
| A          | 4 Pcs  | X4                             |
| B          | 4 Pcs  | X4                             |
| C          | 12 Pcs | X12                            |
| M          | 44 Pcs | 30*8MM                         |
| N          | 1 Pcs  |                                |
| X          | 12 Pcs | black cotton pad diameter 28MM |
| Y          | 2 Pcs  | Height 22CM                    |

| ASSEMBLY STEPS |                                                                                                                                             |
|----------------|---------------------------------------------------------------------------------------------------------------------------------------------|
| ①              | Install 12pcs of Type C angle irons on the headboard, side rails and footboard, and then paste 12pcs of Type X on the top of C angle irons. |
| ②              | Use 2/2pcs of Type A/B angle irons to connect the headboard and side rails.                                                                 |
| ③              | Use 2/2pcs of Type A/B angle irons to connect the side rails and footboard.                                                                 |
| ④              | Put the folding slat in, install the 2pcs of Type Y legs to the middle of the folding slat.                                                 |

Note: the 44pcs of Type M bolts are not in the hardware kit. They are already pre-installed.

