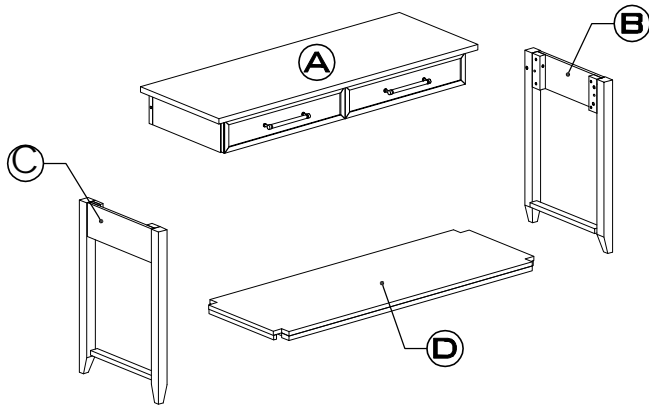


# ASSEMBLY INSTRUCTIONS

## HOLLAND 2 DRAWER CONSOLE TABLE



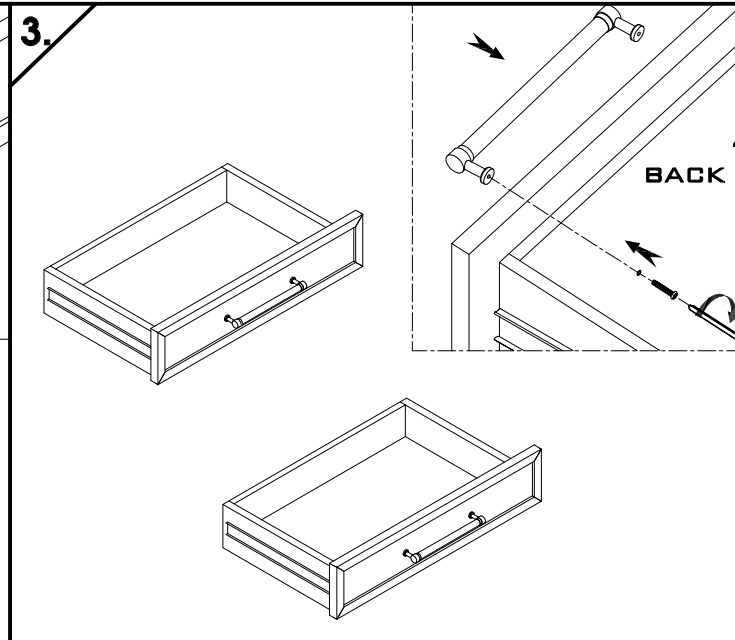
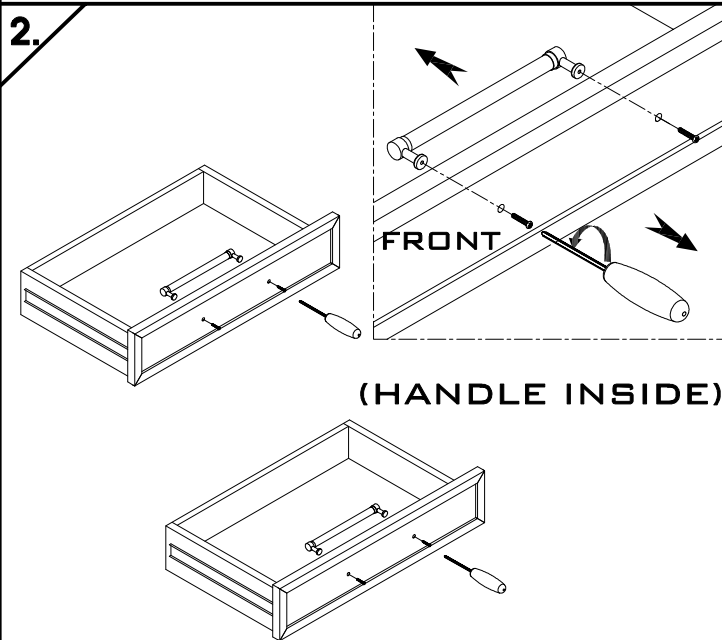
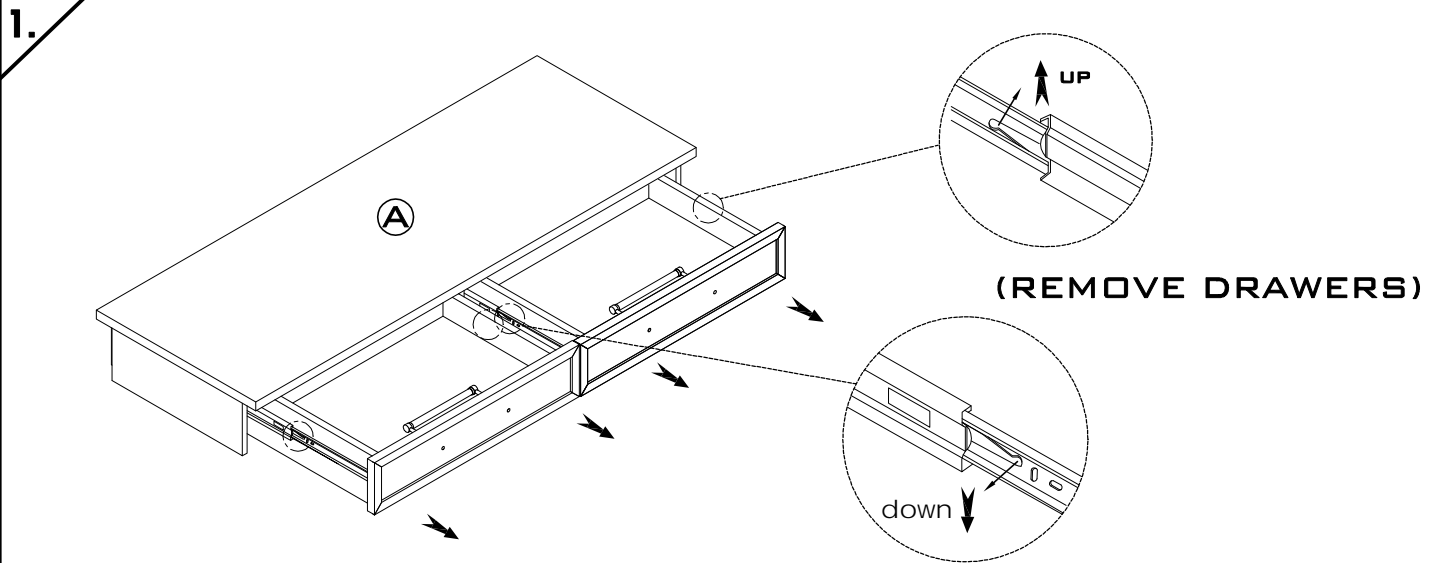
### PARTS CHECK LIST

CODE	COMPONENTS	QTY
(A)	BODY	X01
(B)	RIGHT LEG FRAME	X01
(C)	LEFT LEG FRAME	X01
(D)	SHELF	X01

### HARDWARE CHECK LIST

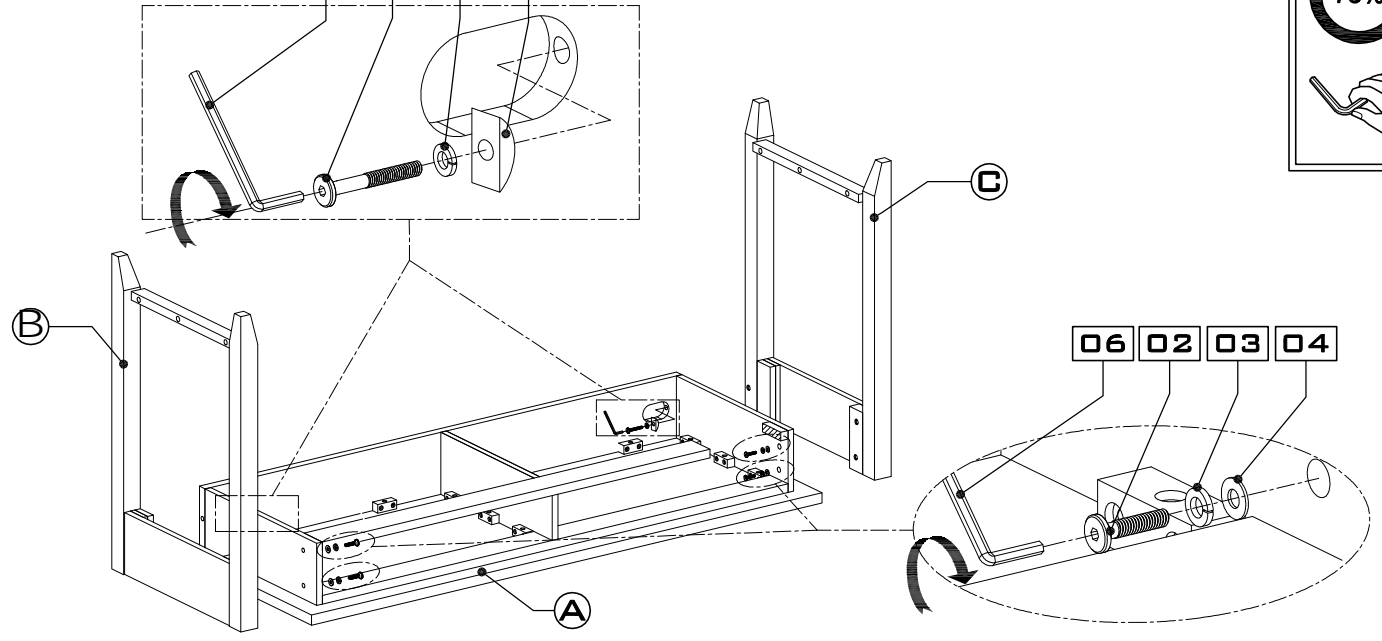
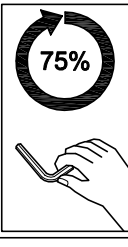
CODE	DESCRIPTION	QTY
01	LONG BOLT	X08
02	SHORT BOLT	X04
03	SPRING WASHER	X12
04	FLAT WASHER	X10
05	HALF MOON WASHER	X02
06	ALLEN KEY	X01

- PLEASE DO NOT DISCARD ANY OF THE PACKAGING UNTIL YOU HAVE CHECKED ALL THE PARTS AND THE PACKS OF HARDWARE.
- BEFORE YOU BEGIN TO ASSEMBLE YOUR NEW PIECE OF FURNITURE, PLEASE CHECK TO ENSURE THAT ALL PARTS HAVE BEEN SUPPLIED.
- FOLLOW INSTRUCTIONS CLOSELY AS DEVIATION FROM THEM MAY VOID YOUR WARRANTY AND PRESENT A POSSIBLE SAFETY RISK.
- IT IS RECOMMENDED THAT ASSEMBLY IS DONE ON A SOFT SURFACE LIKE CARPET TO AVOID ANY DAMAGE.
- PERIODICALLY CHECK AND RE-TIGHTEN ANY FASTENERS. WIPE DOWN ALL SURFACES WEEKLY WITH A CLEAN CLOTH. DO NOT CLEAN ANY SURFACES WITH HARSH ABRASIVES OR CHEMICALS.



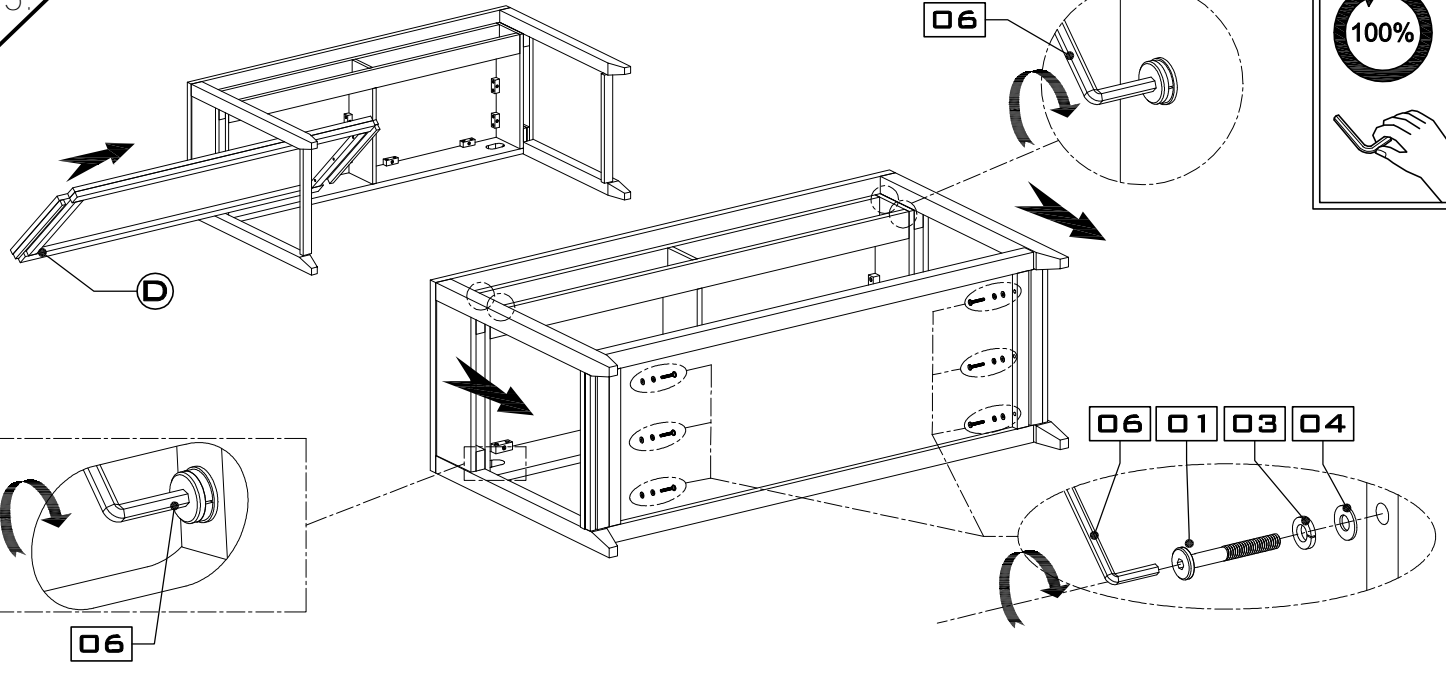
4.

06 01 03 05



5.

06



6.

ADJUST FEET LEVELERS

