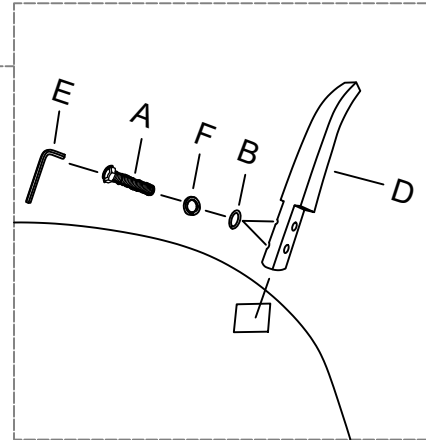
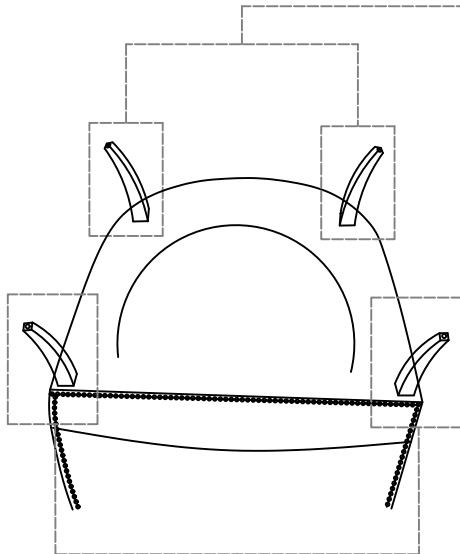






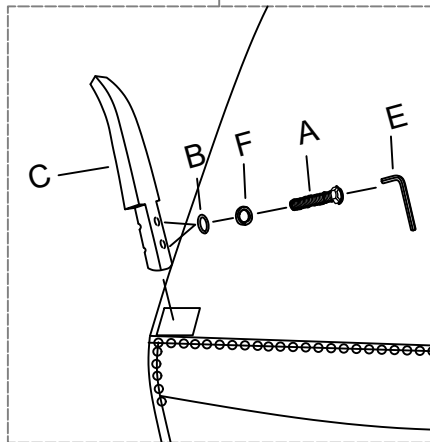


# HENRY CLUB CHAIR ASSEMBLY INSTRUCTIONS



HARDWARE LIST		
NO	Description	Qty
A	 Bolt 6mm*20mm	8PCS
B	 Washer	8PCS
C	 Front leg	2PCS
D	 Rear leg	2PCS
E	 Wrench	1PC
F	 Spring Washer	8PCS



## FINISHED DIAGRAM

