





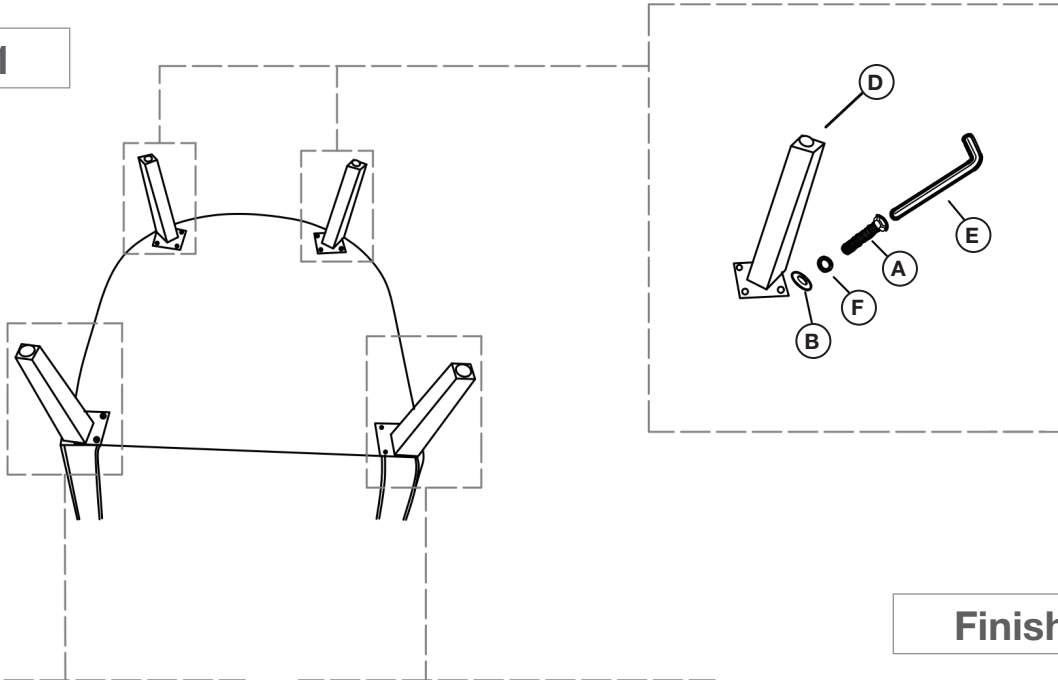


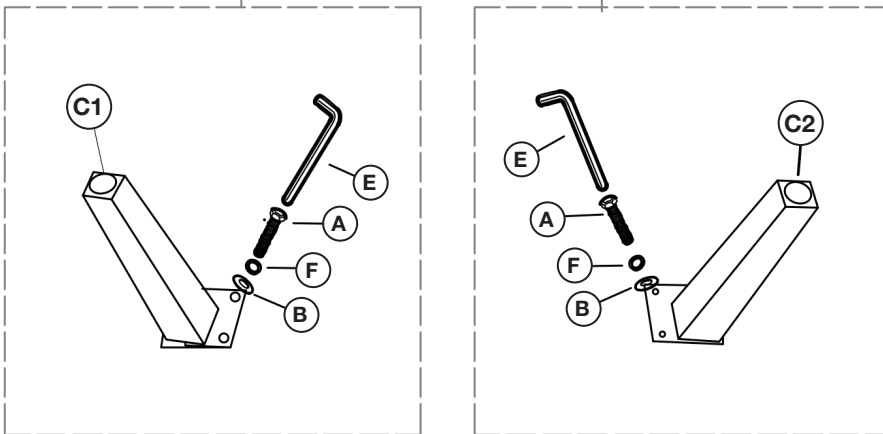
ASSEMBLY INSTRUCTIONS | GORDON CLUB CHAIR

PARTS CHECKLIST		
A		Bolt 6mm*20mm (12pcs)
B		Flat Washer (12pcs)
C		Front Leg (2pcs)
D		Rear Leg (2pcs)
E		Allen Key (1pc)
F		Spring Washer (12pcs)

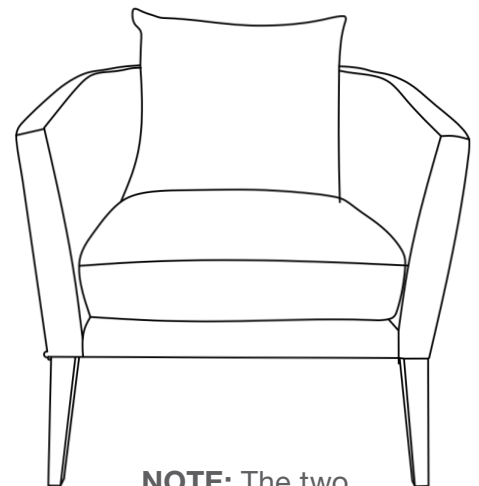
Step 1



Finish



Please do not tighten the screws and bolts before fully assembled



NOTE: The two front legs are not interchangeable