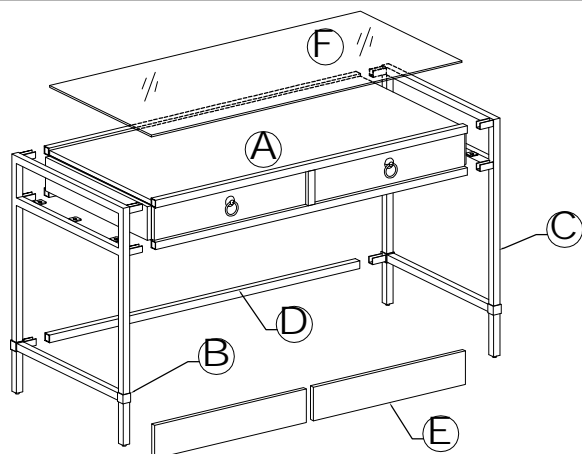


ASSEMBLY INSTRUCTIONS

STRAND SHAGREEN WRITING DESK



PARTS CHECK LIST

CODE	COMPONENTS	QTY
(A)	BODY	x01
(B)	LEFT LEG	x01
(C)	RIGHT LEG	x01
(D)	STRETCHER	x01
(E)	BACK PANEL	x02
(F)	GLASS	x01

HARDWARE CHECK LIST

CODE	DESCRIPTION	QTY
01	Allen bolt	x06
02	Pan head bolt	x20
03	Spring washer	x06
04	Flat washer	x06
05	Allen key	x01

- PLEASE DO NOT DISCARD ANY OF THE PACKAGING UNTIL YOU HAVE CHECKED ALL THE PARTS AND THE PACKS OF HARDWARE.
 - BEFORE YOU BEGIN TO ASSEMBLE YOUR NEW PIECE OF FURNITURE, PLEASE CHECK TO ENSURE THAT ALL PARTS HAVE BEEN SUPPLIED.
 - FOLLOW INSTRUCTIONS CLOSELY AS DEVIATION FROM THEM MAY VOID YOUR WARRANTY AND PRESENT A POSSIBLE SAFETY RISK.
 - IT IS RECOMMENDED THAT ASSEMBLY IS DONE ON A SOFT SURFACE LIKE CARPET TO AVOID ANY DAMAGE.
 - PERIODICALLY CHECK AND RE-TIGHTEN ANY FASTENERS. WIPE DOWN ALL SURFACES WEEKLY WITH A CLEAN CLOTH. DO NOT CLEAN ANY SURFACES WITH HARSH ABRASIVES OR CHEMICALS.

