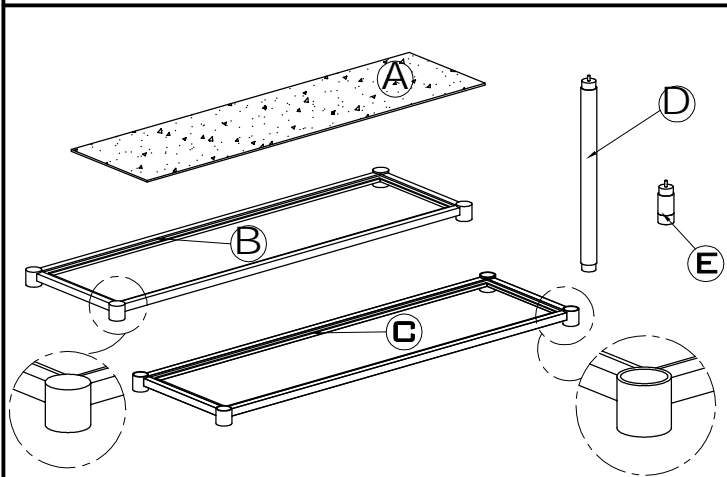


# ASSEMBLY INSTRUCTIONS NOUVEAU CONSOLE TABLE



## PARTS CHECK LIST

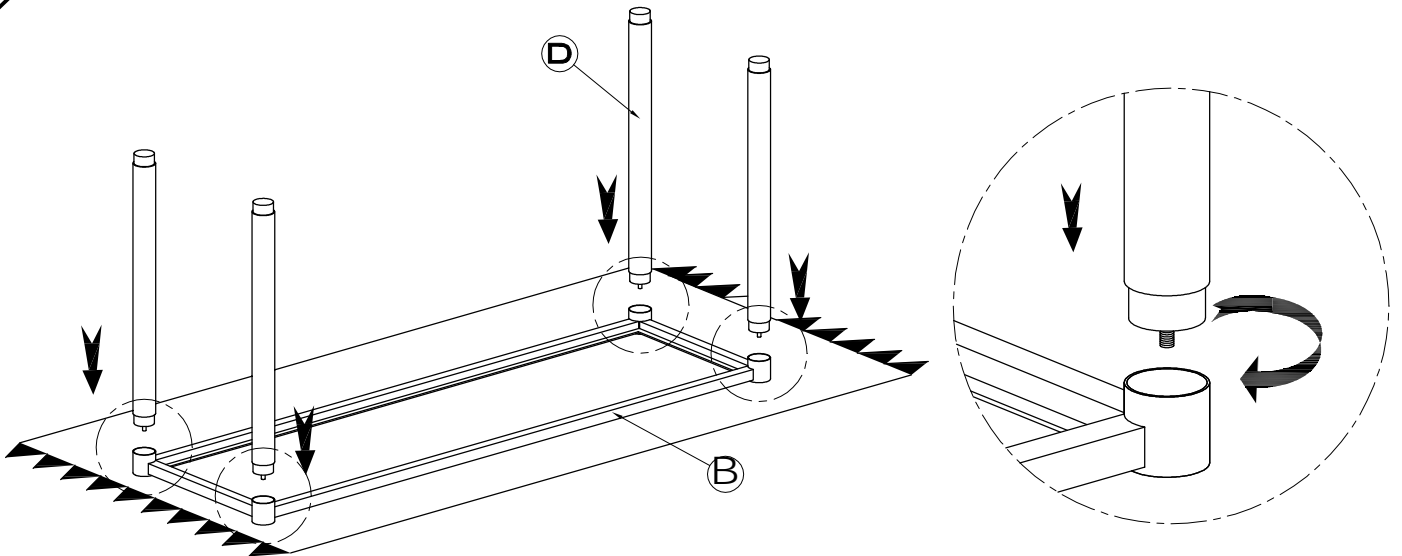
CODE	COMPONENTS	QTY
(A)	GLASS	X02
(B)	TOP FRAME METAL	X01
(C)	BOTTOM FRAME METAL	X01
(D)	LONG LEG	X04
(E)	SHORT LEG	X04

## HARDWARE CHECK LIST

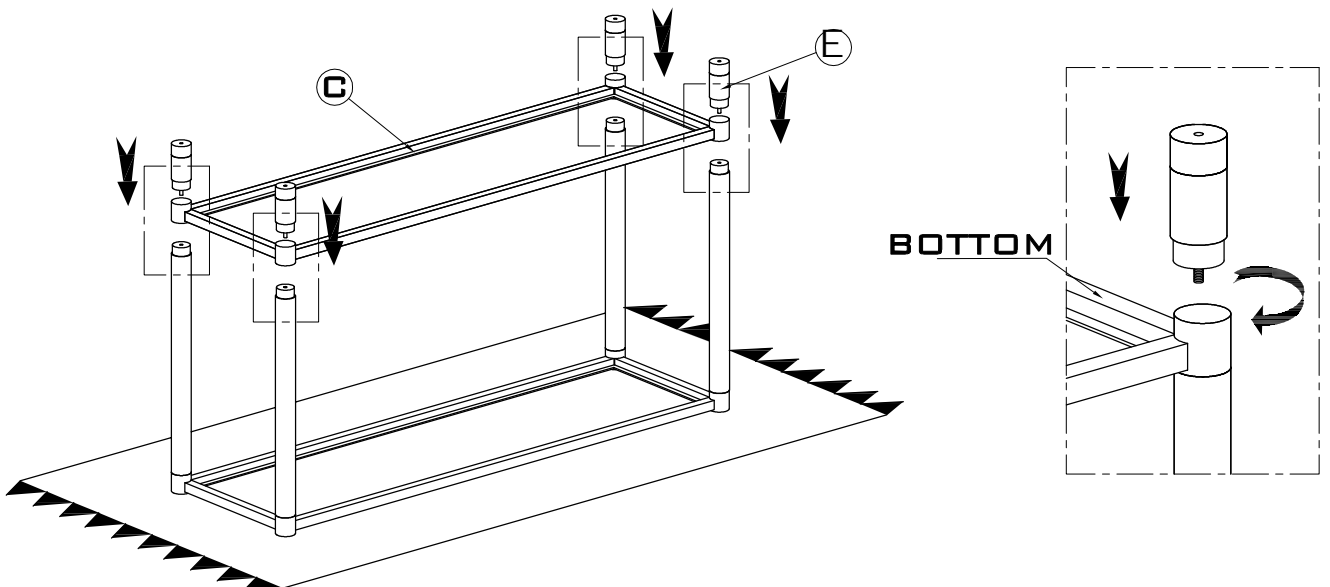
CODE	DESCRIPTION	QTY
01	GLASS BUMPER PAD	X20

- PLEASE DO NOT DISCARD ANY OF THE PACKAGING UNTIL YOU HAVE CHECKED ALL THE PARTS AND THE PACKS OF HARDWARE.
- BEFORE YOU BEGIN TO ASSEMBLE YOUR NEW PIECE OF FURNITURE, PLEASE CHECK TO ENSURE THAT ALL PARTS HAVE BEEN SUPPLIED.
- FOLLOW INSTRUCTIONS CLOSELY AS DEVIATION FROM THEM MAY VOID YOUR WARRANTY AND PRESENT A POSSIBLE SAFETY RISK.
- IT IS RECOMMENDED THAT ASSEMBLY IS DONE ON A SOFT SURFACE LIKE CARPET TO AVOID ANY DAMAGE.
- PERIODICALLY CHECK AND RE-TIGHTEN ANY FASTENERS. WIPE DOWN ALL SURFACES WEEKLY WITH A CLEAN CLOTH. DO NOT CLEAN ANY SURFACES WITH HARSH ABRASIVES OR CHEMICALS.

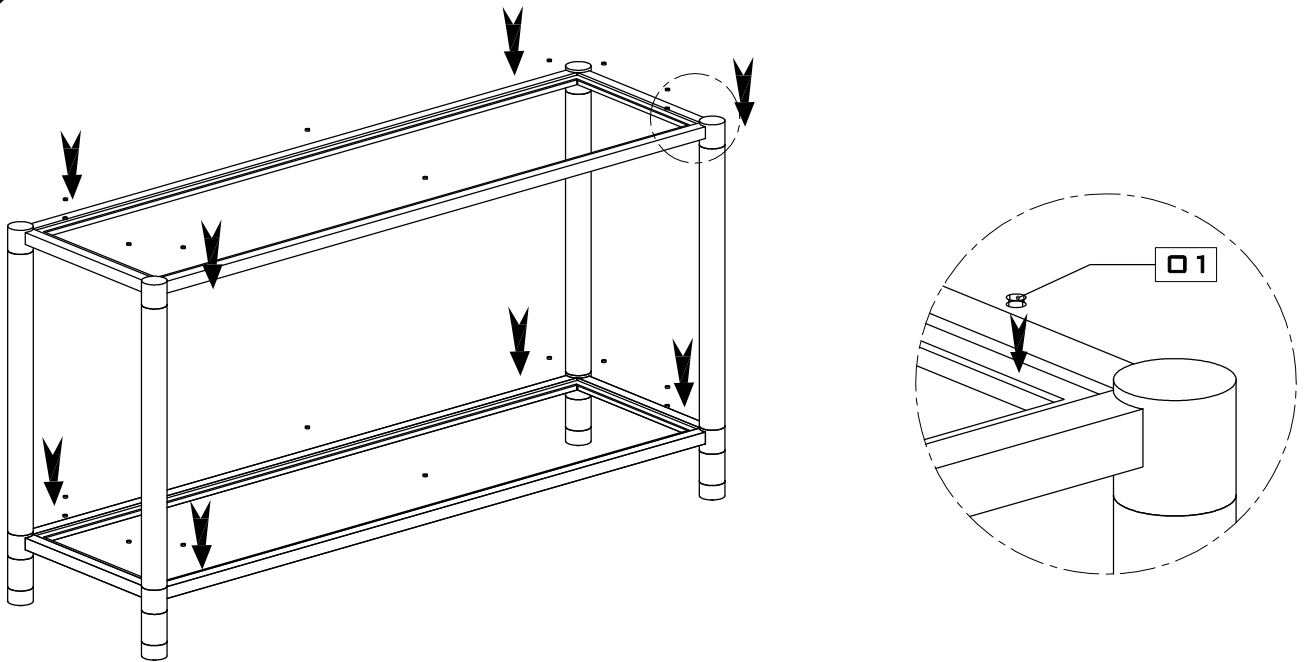
1.



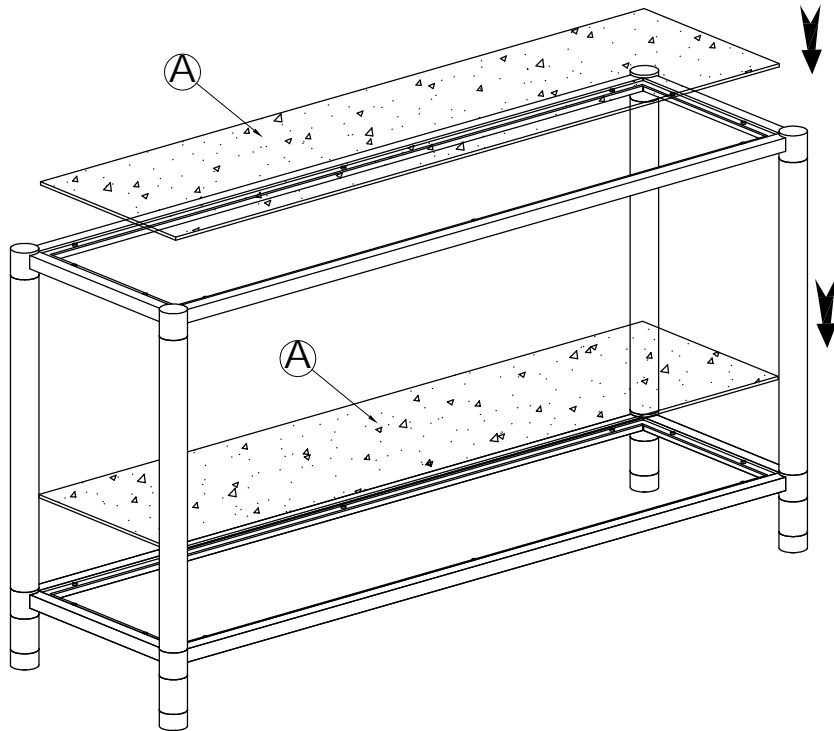
2.



3.



4.



5.

