






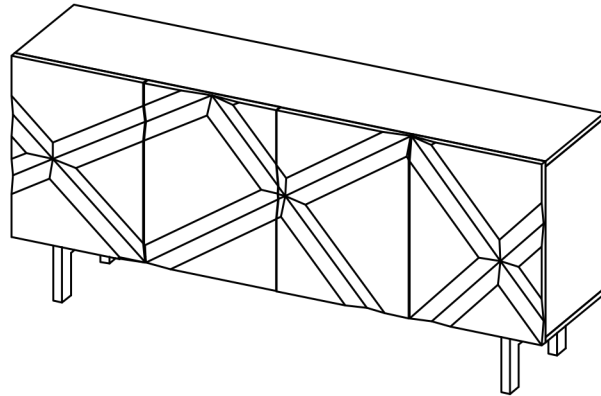
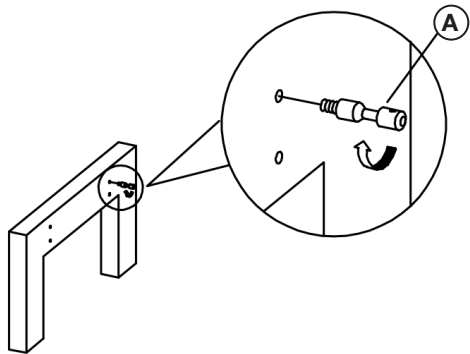


# ASSEMBLY INSTRUCTIONS | ATTICUS MEDIA SIDEBOARD

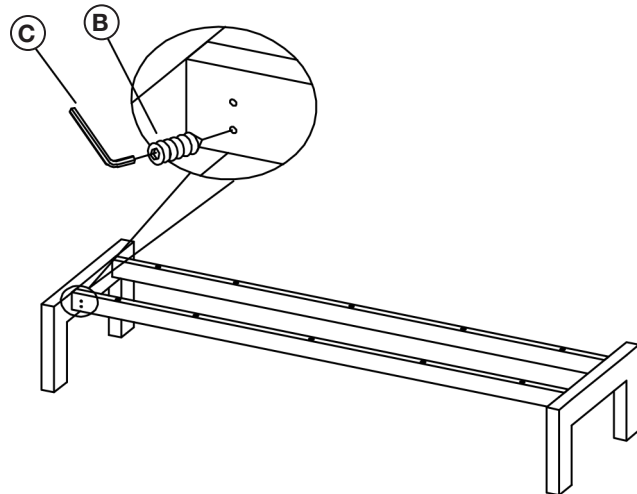
PARTS CHECKLIST		
A		(8pcs)
B		M6x10 (8pcs)
C		Allen Key 3mm (1pc)
D		Allen Key 4mm (1pc)
E		M6x55 (10pcs)
F		Spring Washer ø6 (10pcs)
G		Washer ø6 (10pcs)



## Step 1



## Step 2



## Step 3

