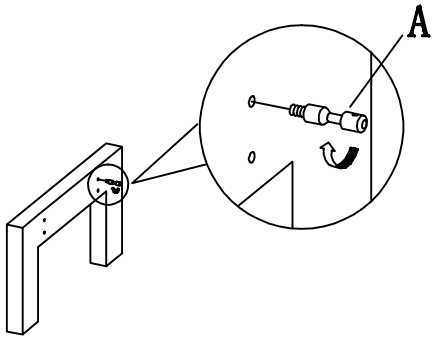


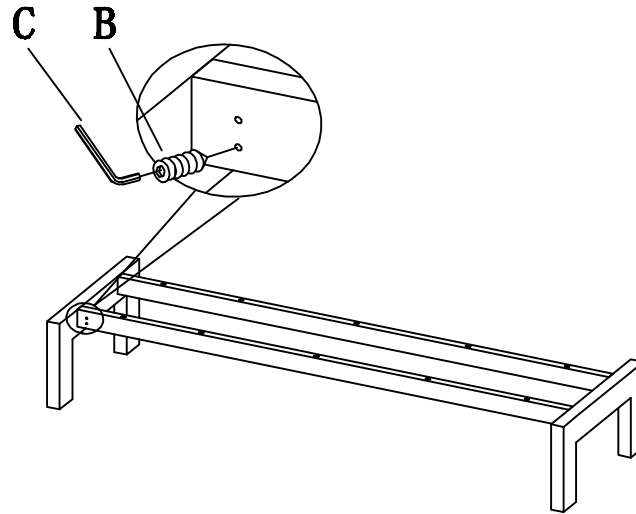
# Assembly Instruction

MODEL:ATTICUS SIDEBOARD 1650.NGA

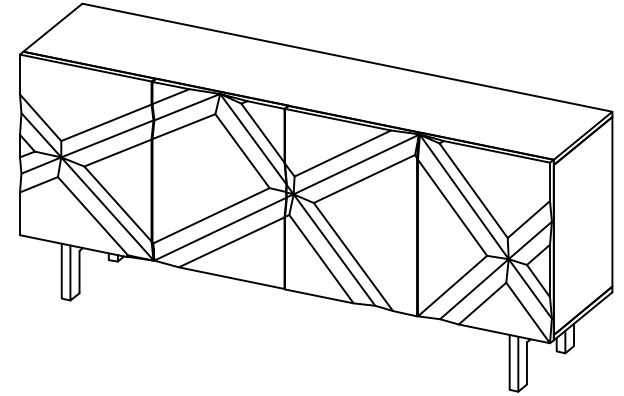
STEP 1



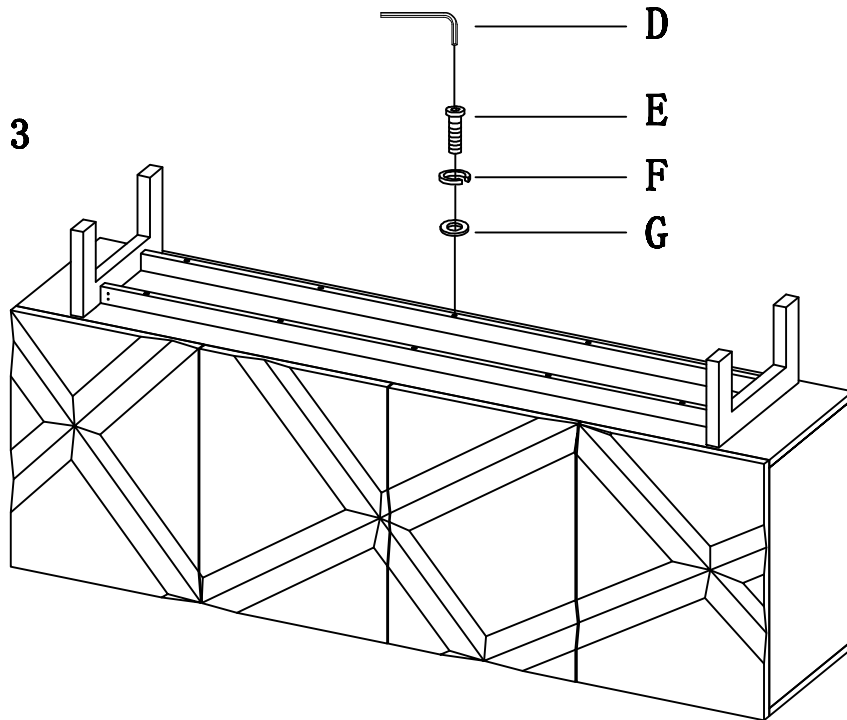
STEP 2



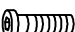






FINISHED



STEP 3



G	ø6		10
F	ø6		10
E	M6x55		10
D	4MM		1
C	3MM		1
B	M6x10		8
A			8
NO.	SIZE	DIAGRAM	QTY