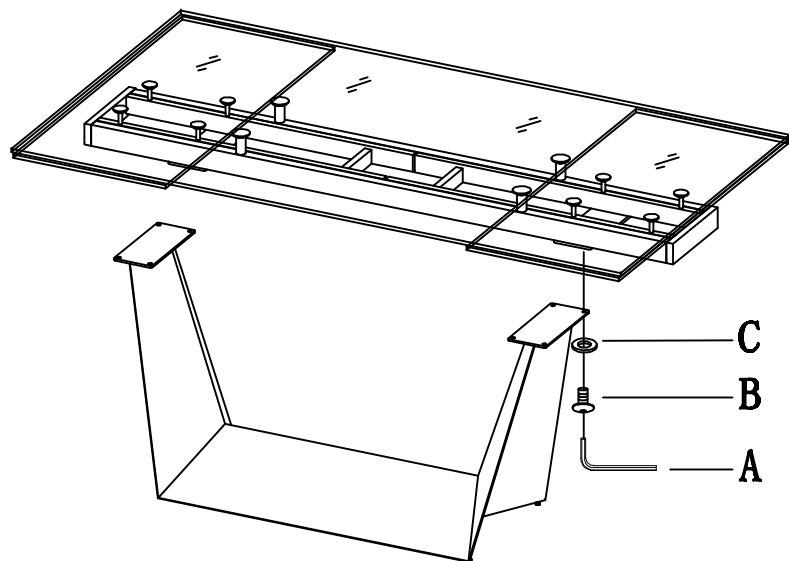


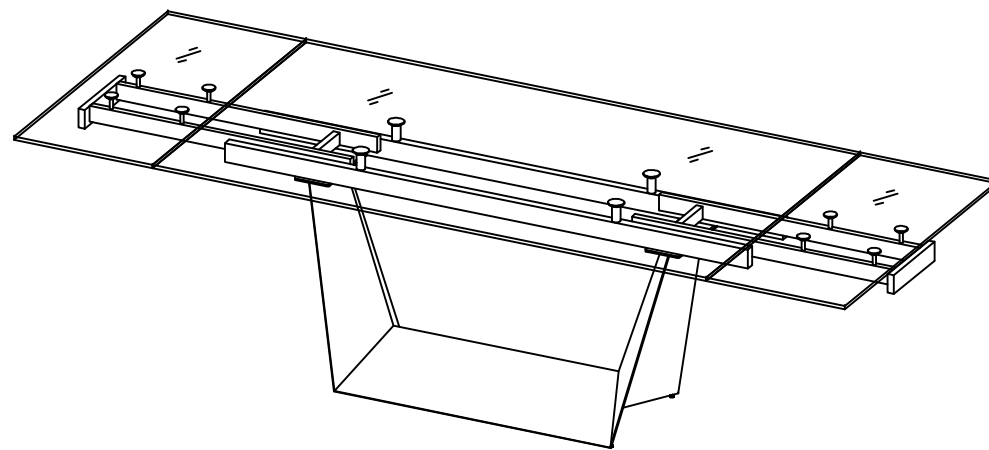
Assembly instruction


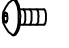

MODEL: VICTORY EXT 1603-EXDT

STEP 1



FINISHED



NO.	SIZE	DIAGRAM	QTY
C	φ8		8
B	M8x15		8
A	5mm		1