

ASSEMBLY INSTRUCTIONS | NOBLE DOUBLE DRESSER




IMPORTANT: This unit requires at minimum 2 people to assemble



DO NOT USE A DRILL FOR ASSEMBLY

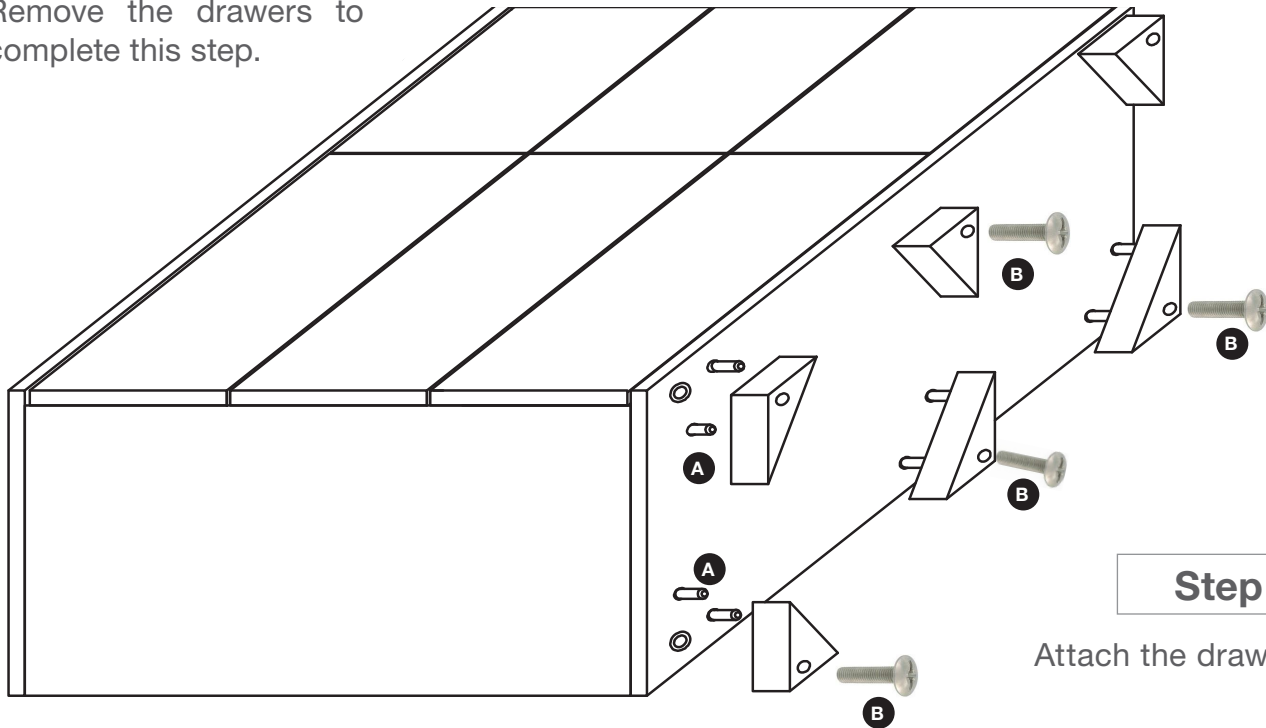


PARTS CHECKLIST

A		Wooden Dowels (12 pcs)
B		Screws for Feet (5 pcs)
C		Screws for Handles (12 pcs)

Step 1

Turn the dresser on its back and attach the feet. Remove the drawers to complete this step.



Step 2

Attach the drawer handles

