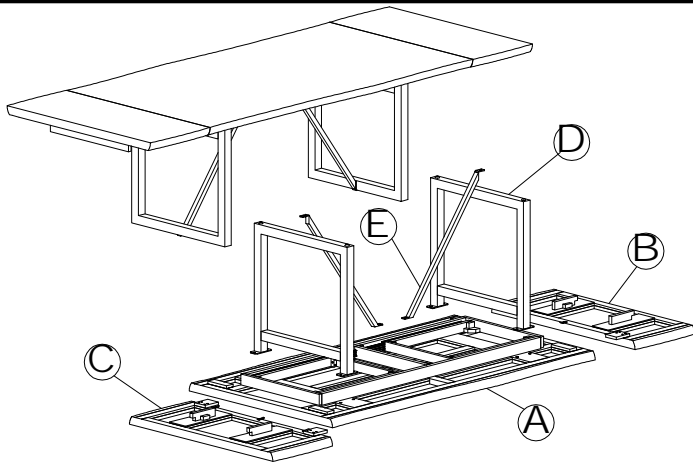


ASSEMBLY INSTRUCTIONS

ORIGIN EXTENSION DINING TABLE



Parts Check List

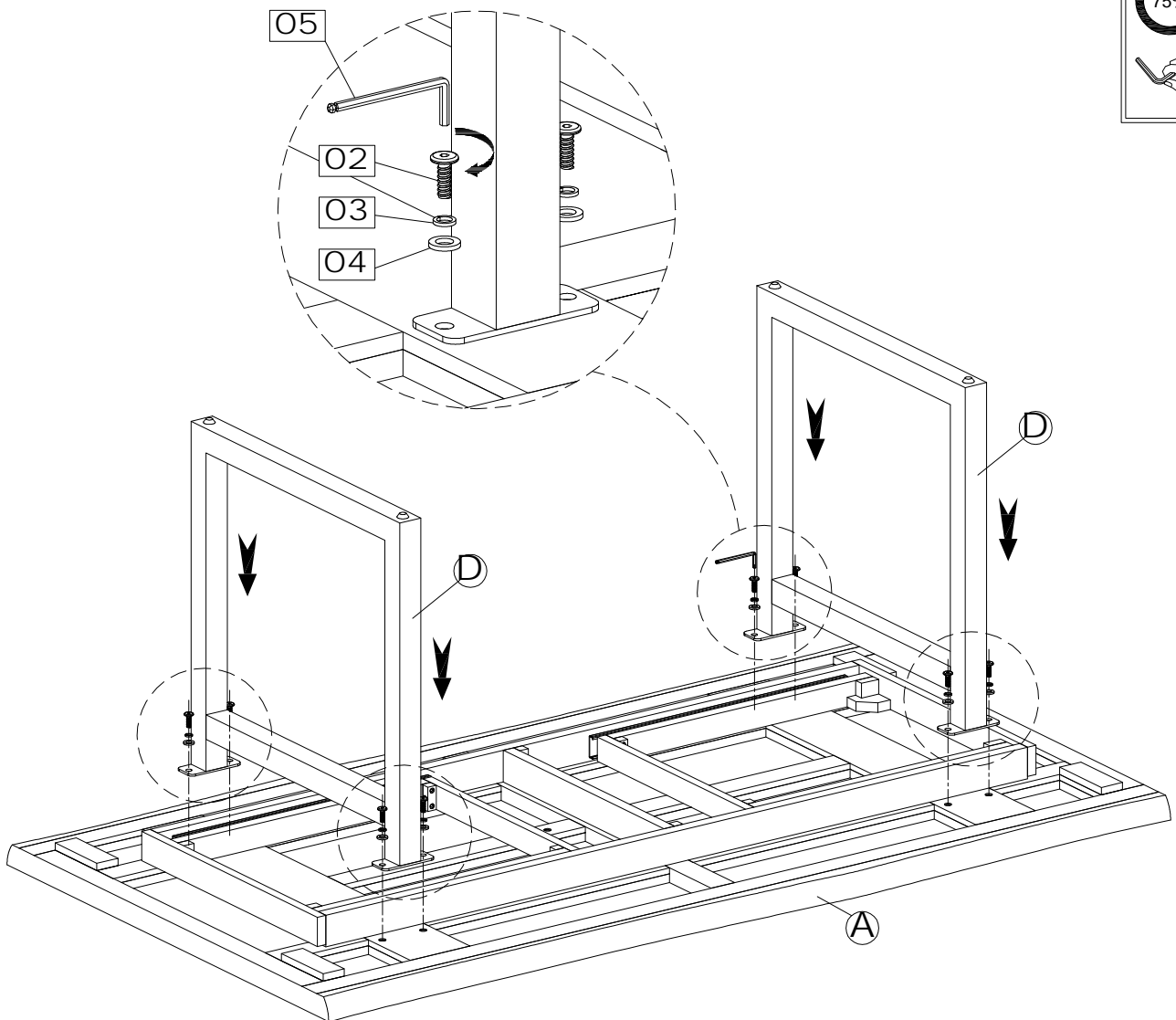
Code	Components	Qty
(A)	TABLE TOP	x01
(B) (C)	LEAF TOP	x02
(D)	LEG FRAME	x02
(E)	STRETCHER	x02

Hardware Check List

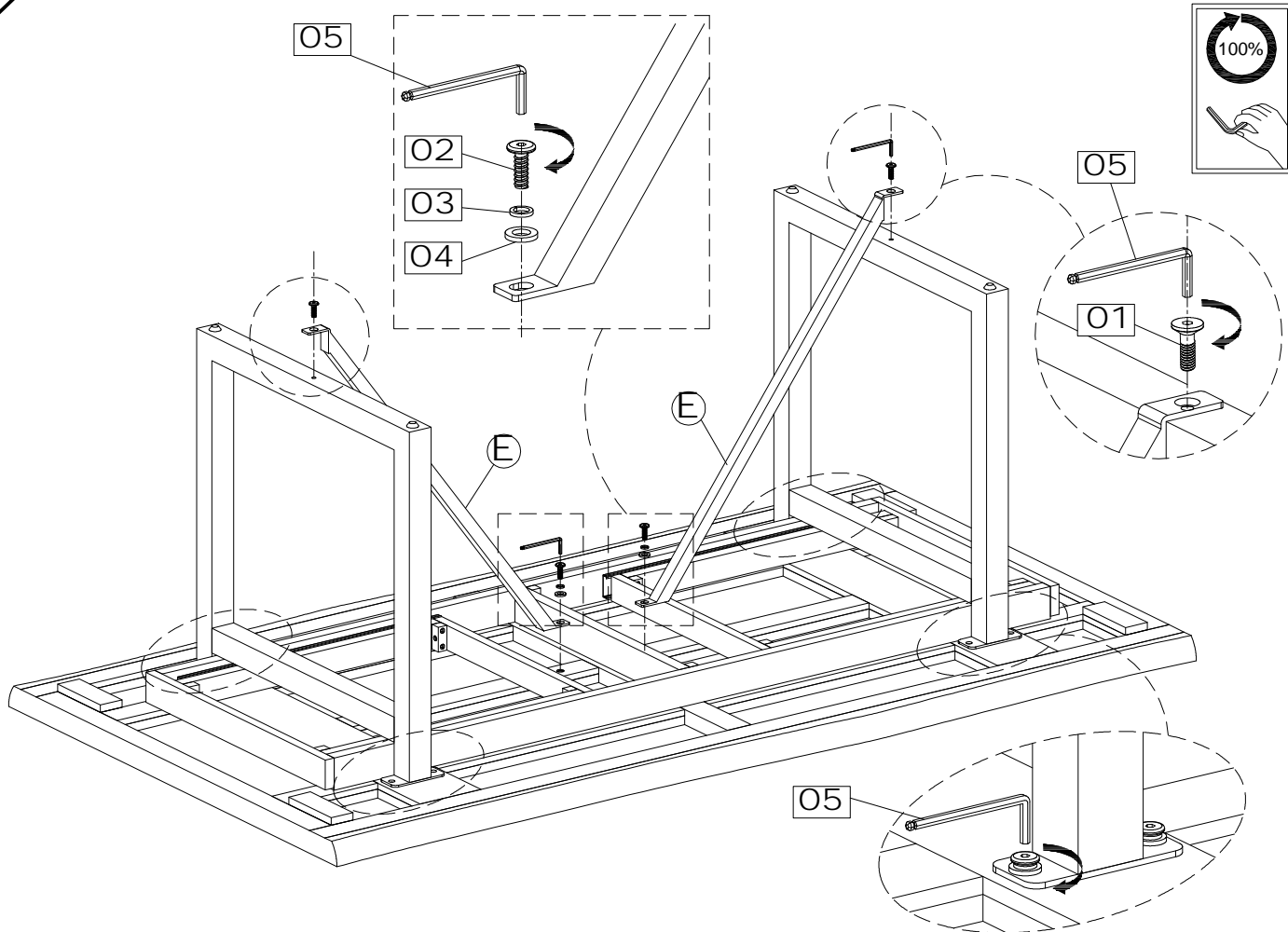
Code	Description	Qty
01	Short bolt M6x15	x02
02	Long bolt M8x30	x10
03	Spring washer	x10
04	Flat washer	x10
05	Allen key	x01

- PLEASE DO NOT DISCARD ANY OF THE PACKAGING UNTIL YOU HAVE CHECKED ALL THE PARTS AND THE PACKS OF HARDWARE.
 - BEFORE YOU BEGIN TO ASSEMBLE YOUR NEW PIECE OF FURNITURE, PLEASE CHECK TO ENSURE THAT ALL PARTS HAVE BEEN SUPPLIED.
 - FOLLOW INSTRUCTIONS CLOSELY AS DEVIATION FROM THEM MAY VOID YOUR WARRANTY AND PRESENT A POSSIBLE SAFETY RISK.
 - IT IS RECOMMENDED THAT ASSEMBLY IS DONE ON A SOFT SURFACE LIKE CARPET TO AVOID ANY DAMAGE.
 - PERIODICALLY CHECK AND RE-TIGHTEN ANY FASTENERS. WIPE DOWN ALL SURFACES WEEKLY WITH A CLEAN CLOTH. DO NOT CLEAN ANY SURFACES WITH HARSH ABRASIVES OR CHEMICALS.

1.



2.



3.

