




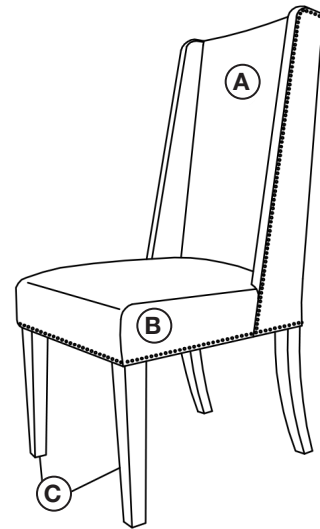


ASSEMBLY INSTRUCTIONS | MORGAN DINING CHAIR

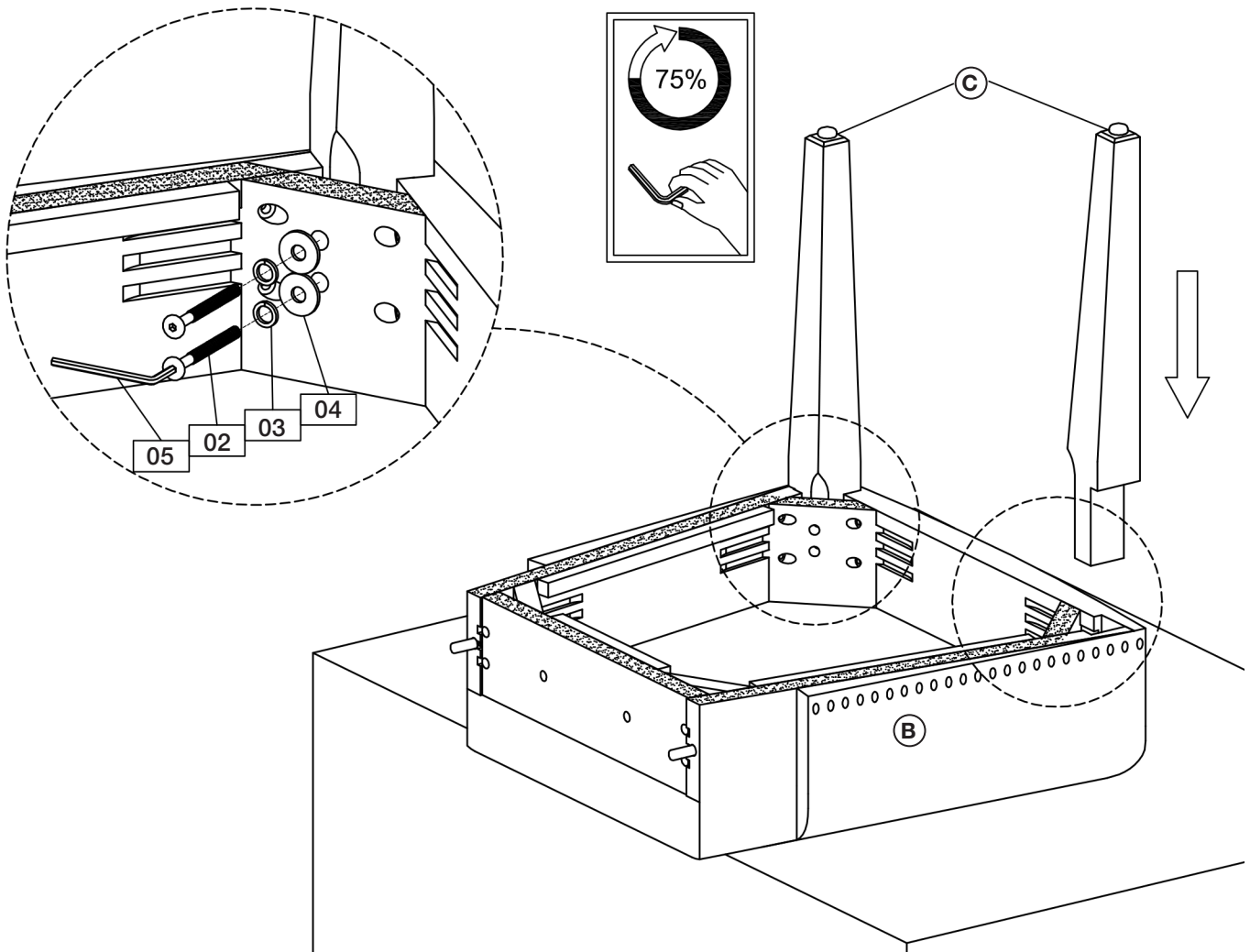
PARTS CHECKLIST	
A	Back Panel (1pc)
B	Seat (1pc)
C	Leg (4pcs)

HARDWARE CHECKLIST		
01		Long Bolt (4pcs)
02		Short Bolt (6pcs)
03		Spring Washer (10pcs)
04		Flat Washer (10pcs)
05		Allen Key (1pc)



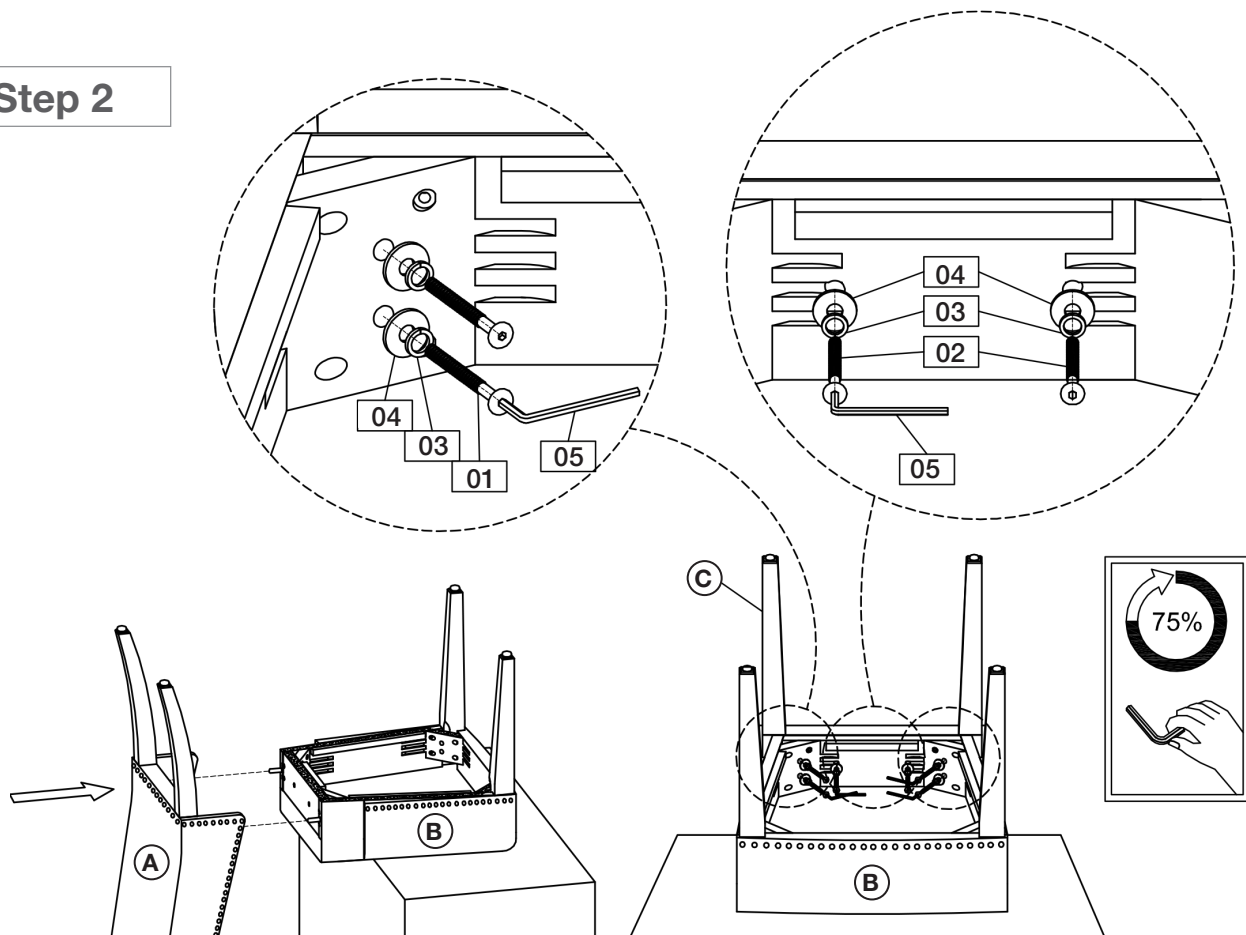
Please do not begin assembly or discard any packaging until you have checked that all the parts and hardware are present. Follow instructions closely as deviation from them may void your warranty and present a possible safety risk. It is recommended that assembly is done on a soft surface to avoid any damage. Re-tighten the screws every six months. Wipe down all surfaces weekly with a clean cloth. Do not clean any surfaces with harsh abrasives or chemicals. Maximum load bearing - 330 lbs (150 kg).

Step 1

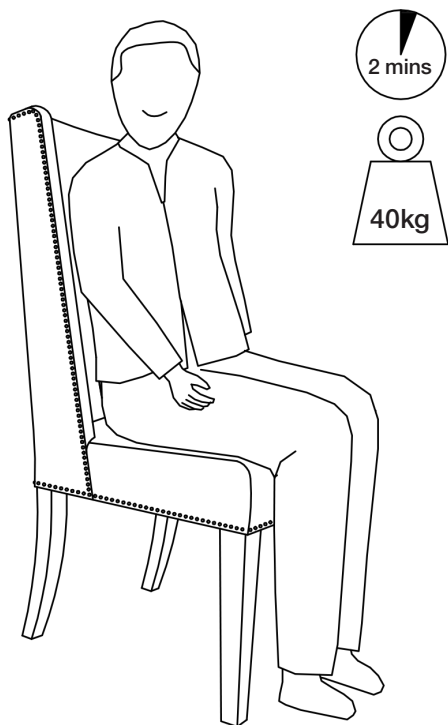


ASSEMBLY INSTRUCTIONS | MORGAN DINING CHAIR

Step 2



Step 3



Step 4

