




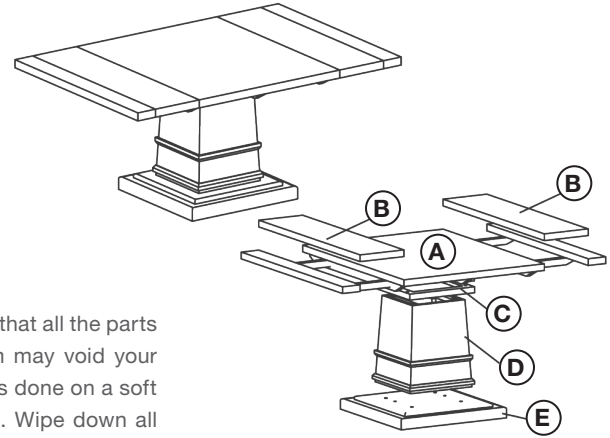


ASSEMBLY INSTRUCTIONS | HUDSON 44" SQUARE EXT DINING TABLE

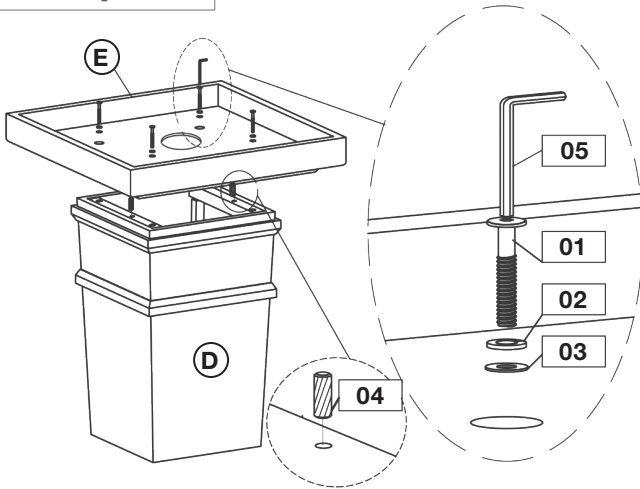
HARDWARE CHECKLIST		
01		Allen Bolt (12pcs)
02		Spring Washer (12pcs)
03		Flat Washer (12pcs)
04		Dowel (6pcs)
05		Allen Key (1pc)

PARTS CHECKLIST	
A	Table Top (1pc)
B	Leaf (2pcs)
C	Top Frame (1pc)
D	Center Leg (1pc)
E	Base (1pc)

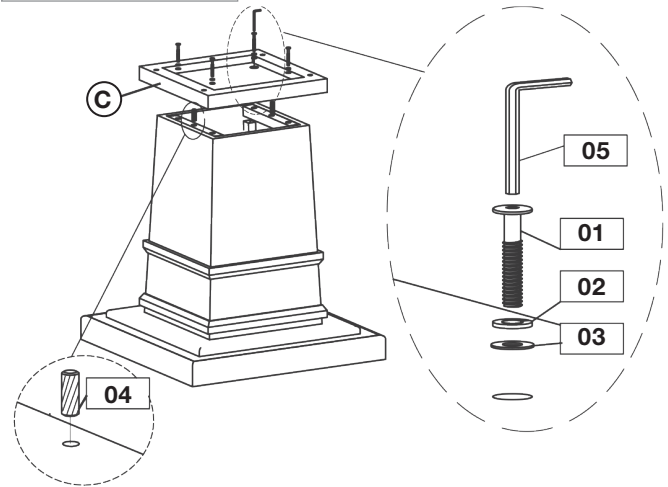


Please do not begin assembly or discard any packaging until you have checked that all the parts and hardware are present. Follow instructions closely as deviation from them may void your warranty and present a possible safety risk. It is recommended that assembly is done on a soft surface to avoid any damage. Periodically check and re-tighten any fasteners. Wipe down all surfaces weekly with a clean cloth. Do not clean any surfaces with harsh abrasives or chemicals.

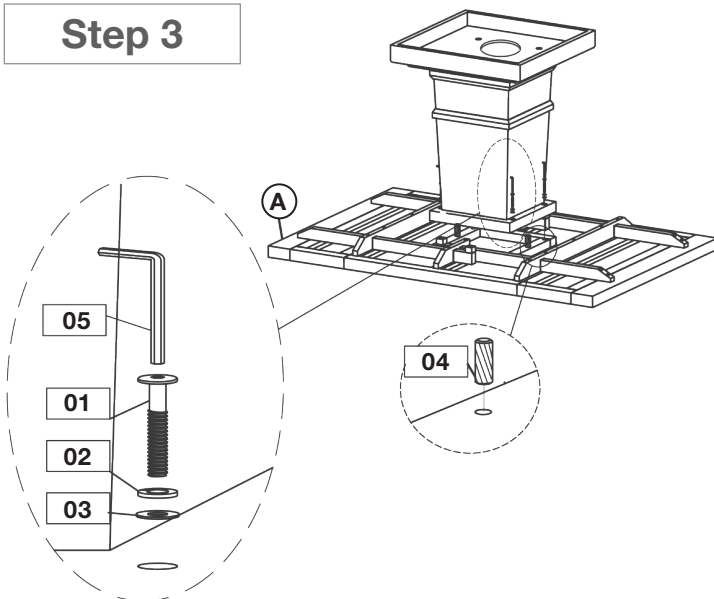
Step 1



Step 2



Step 3



Finish

IMPORTANT: Do not lift the table by the end caps. Do not lift the table with the leaves in place

