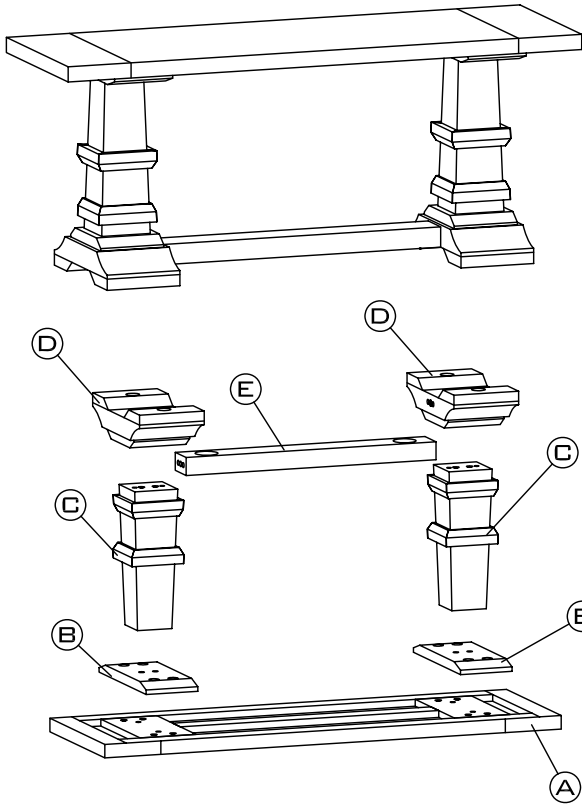


ASSEMBLY INSTRUCTIONS HUDSON BENCH



PARTS CHECK LIST

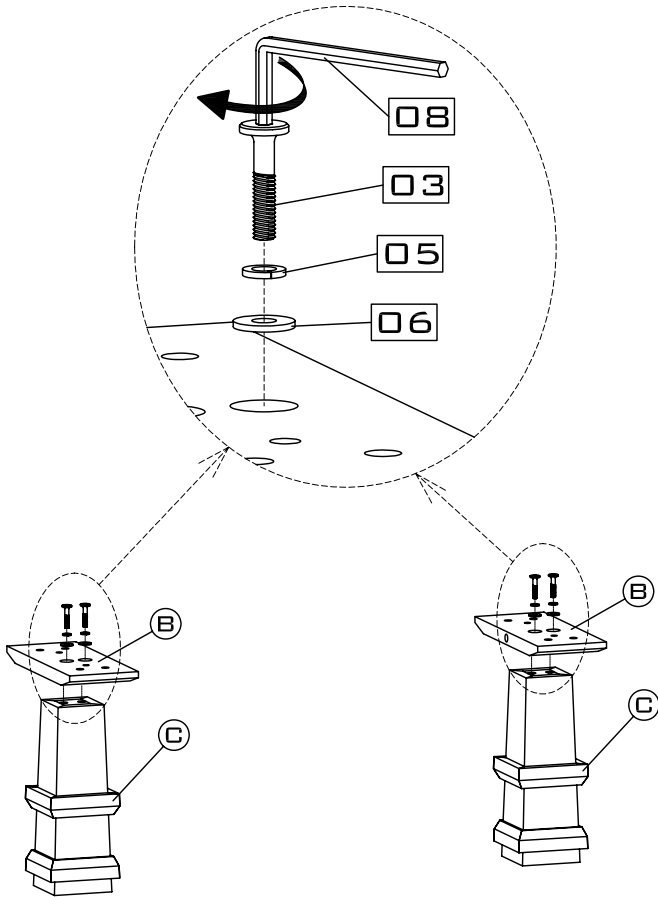
CODE	COMPONENTS	Q'TY
(A)	TOP SEAT	X01
(B)	LEG HEAD	X02
(C)	BASE CENTER	X02
(D)	BOTTOM LEG	X02
(E)	STRETCHER	X01

FITTINGS CHECK LIST

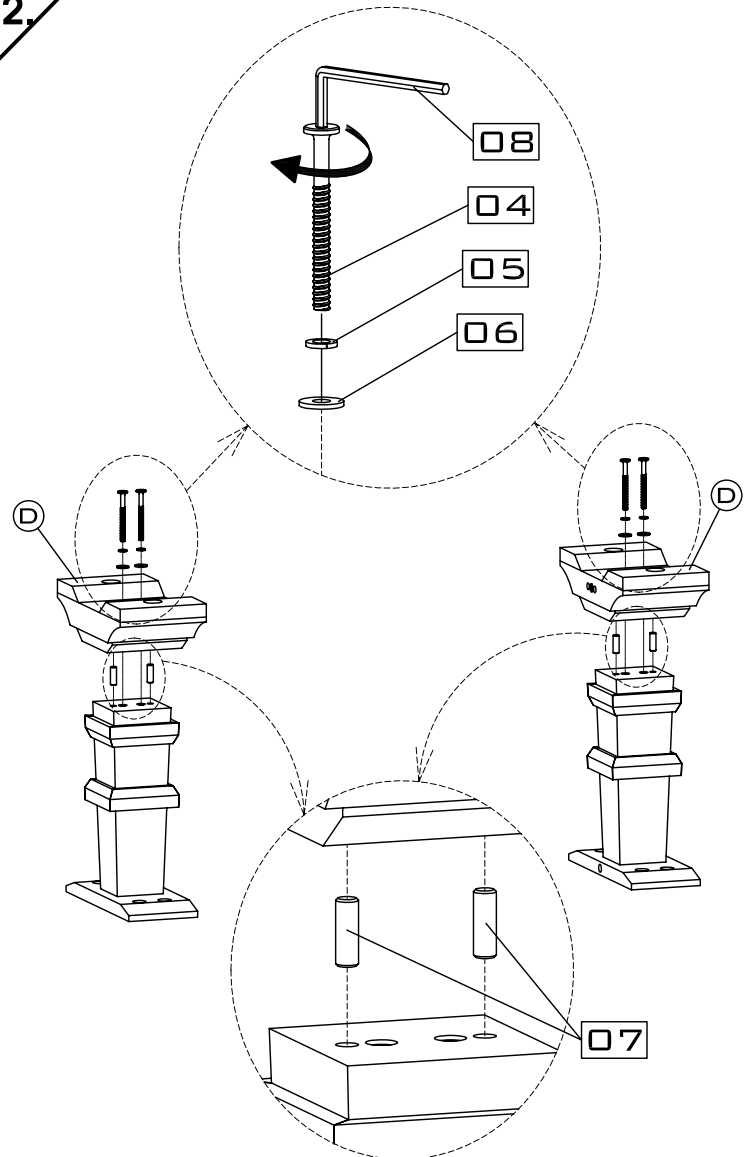
CODE	COMPONENTS	Q'TY
01	CAP SCREW	X02
02	U WASHER	X02
03	SHORT ALLEN BOLT	X12
04	LONG ALLEN BOLT	X04
05	SPRING WASHER	X16
06	FLAT WASHER	X16
07	DOWEL	X12
08	ALLEN KEY	X01

Please do not discard any of the packaging until you have checked all the parts and the packs of fittings.

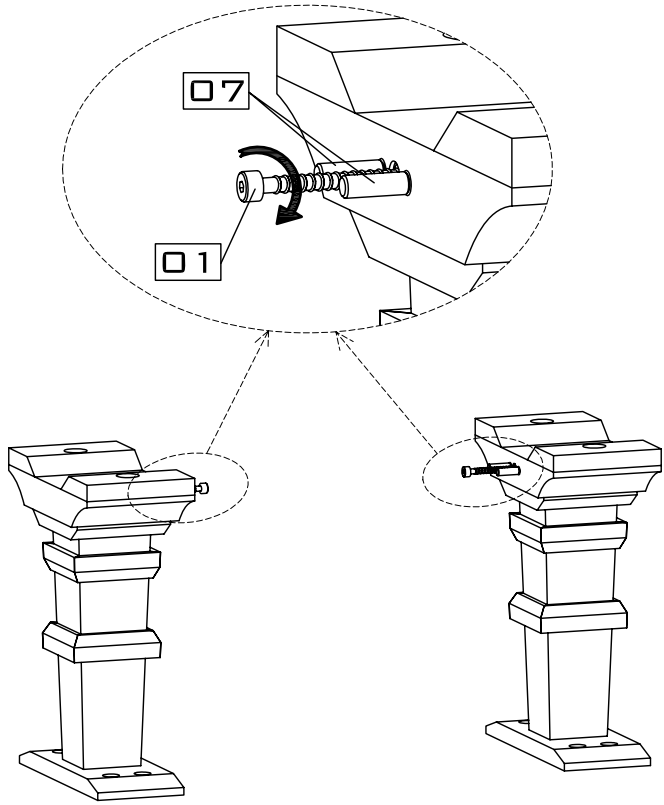
1.



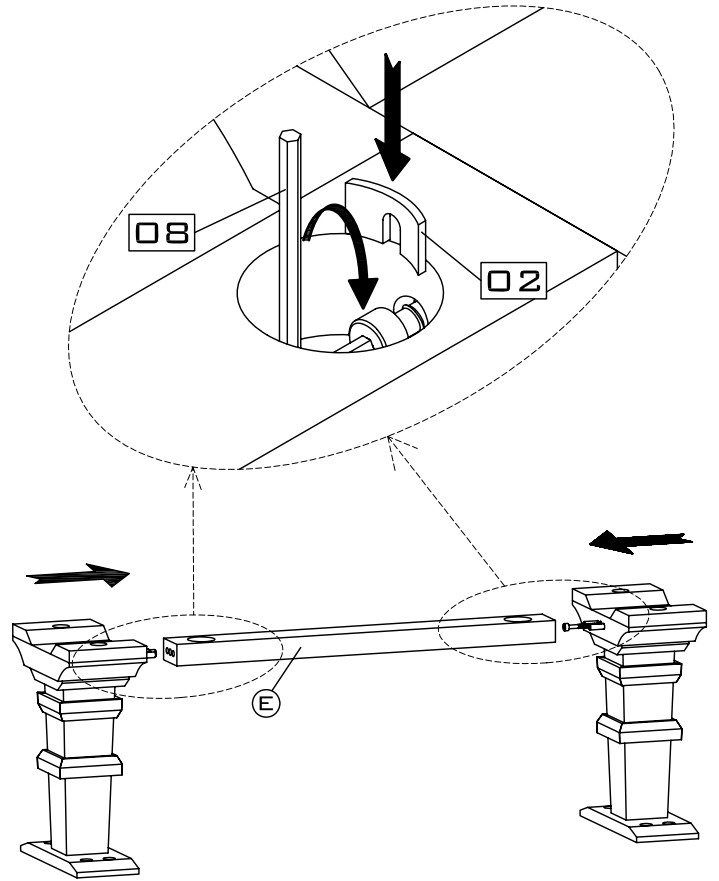
2.



3.



4.



5.

FINISH

