



ASSEMBLY INSTRUCTIONS | ICON NIGHTSTAND

IMPORTANT: This unit requires at minimum 2 people to assemble

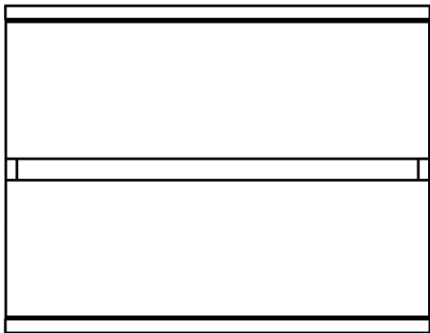


DO NOT USE A DRILL FOR ASSEMBLY



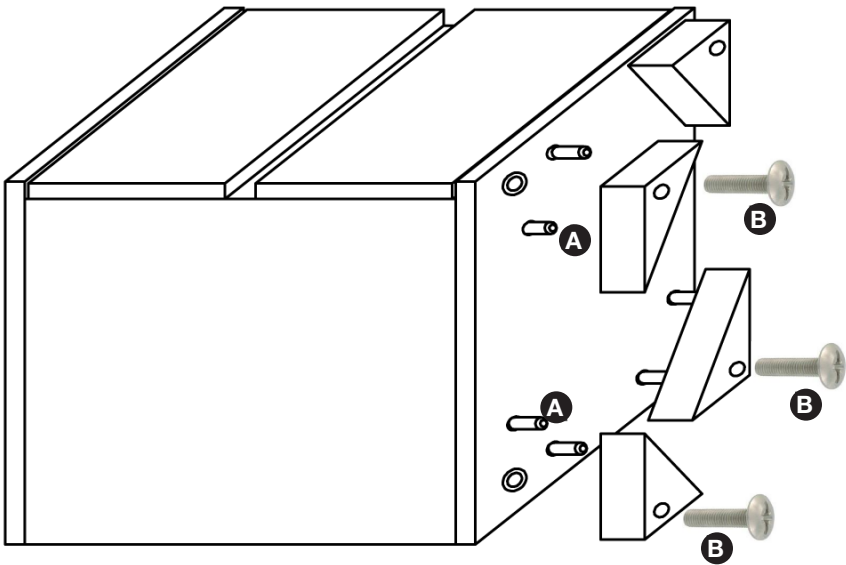
PARTS CHECKLIST		
A		Wooden Dowels (8 pcs)
B		Screws for Feet (4 pcs)

Top

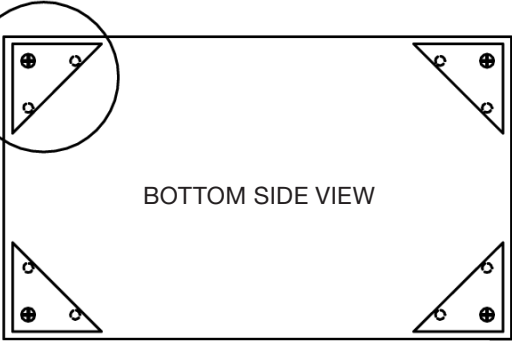
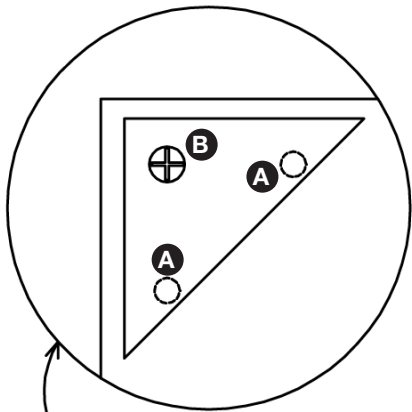


Step 1

Turn the dresser on its back and attach the feet.



Top



BOTTOM SIDE VIEW

