







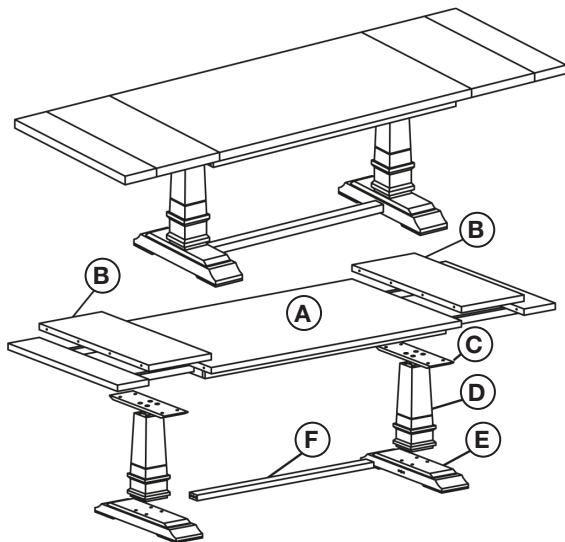


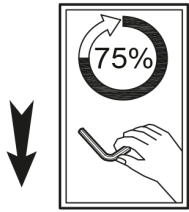
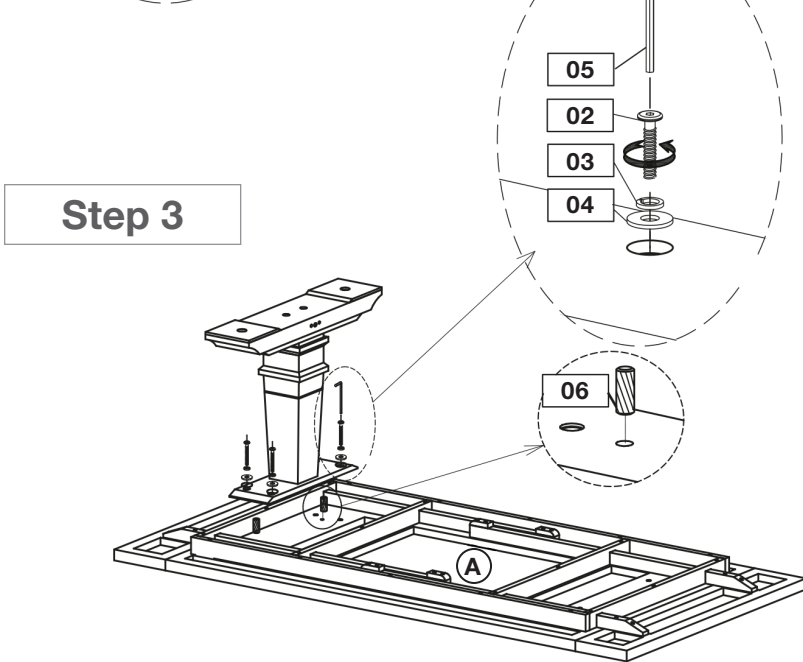
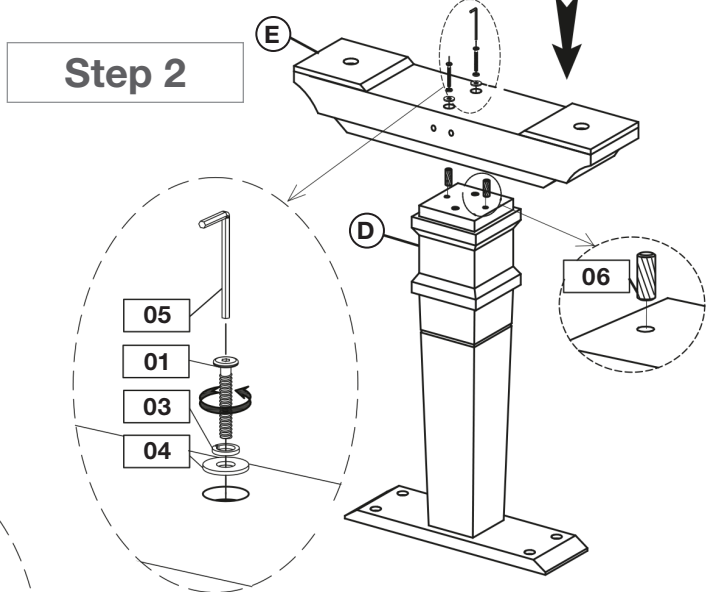
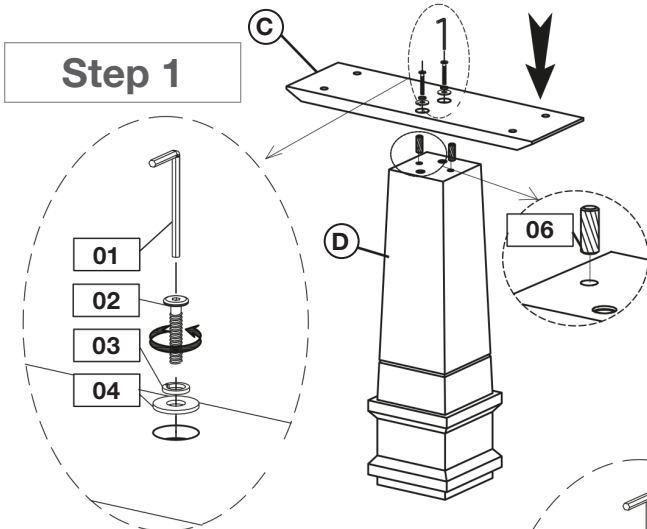
# ASSEMBLY INSTRUCTIONS | HUDSON EXTENSION DINING TABLE

PARTS CHECKLIST	
A	Table Top (1pc)
B	Extension Leaf (2pcs)
C	Leg Top (2pcs)
D	Center Leg (2pcs)
E	Base (2pcs)
F	Stretcher (1pc)

HARDWARE CHECKLIST		
01		Long Allen Bolt (4pcs)
02		Short Allen Bolt (12pcs)
03		Spring Washer (16pcs)
04		Flat Washer (16pcs)
05		Allen Key (1pc)
06		Dowel (16pcs)
07		Cap Bolt (2pcs)
08		U-Washer (2pcs)

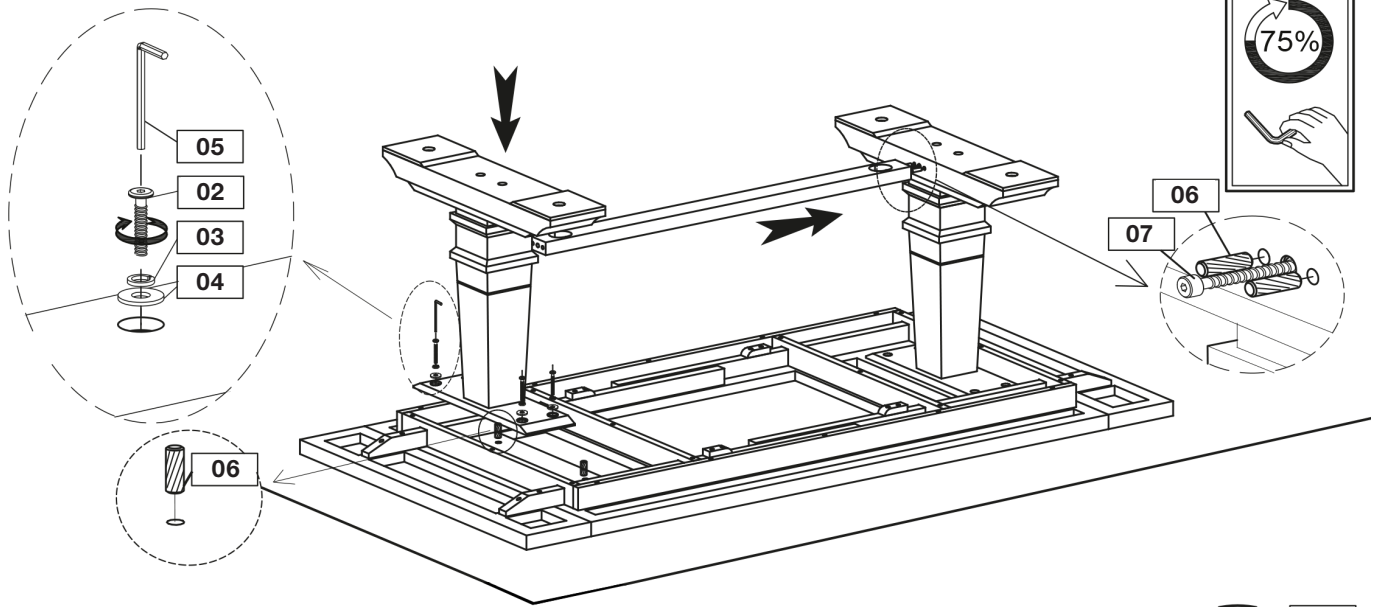


Please do not discard any packaging until you have checked that all the parts and hardware are present.

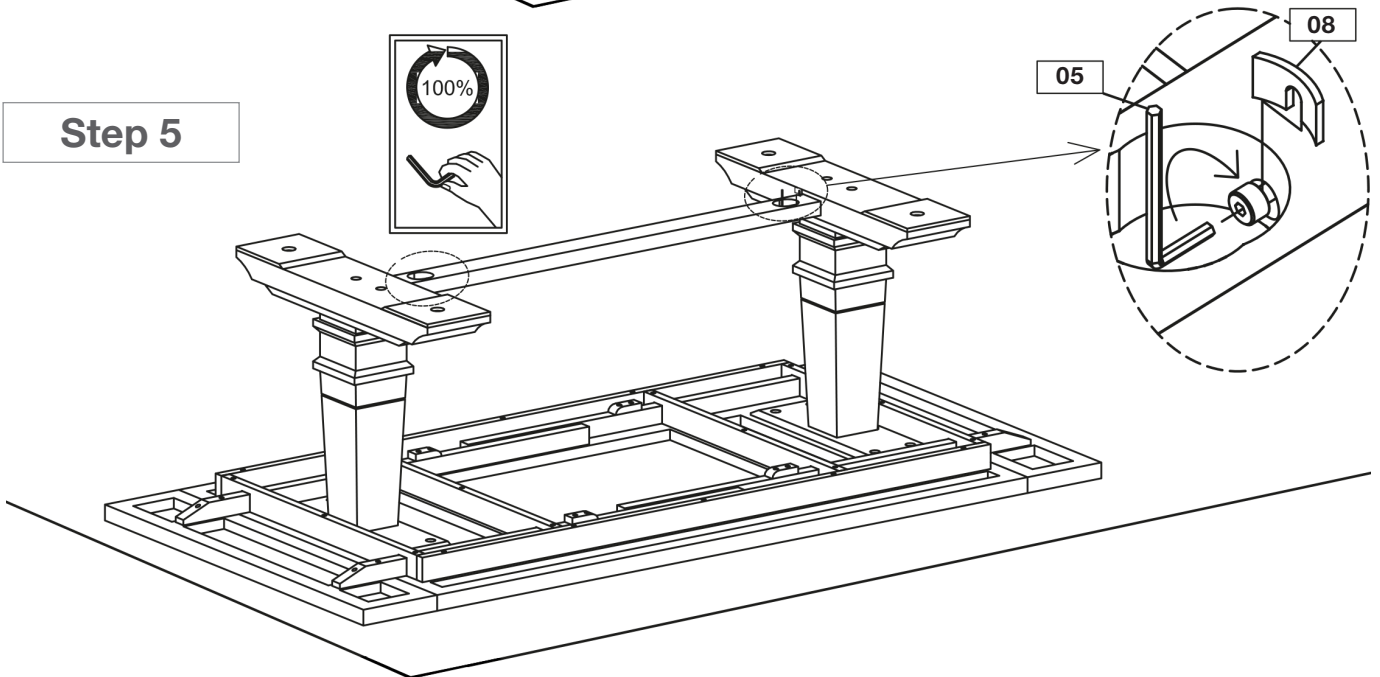


# ASSEMBLY INSTRUCTIONS | HUDSON EXTENSION DINING TABLE

## Step 4



## Step 5



## Step 6

