









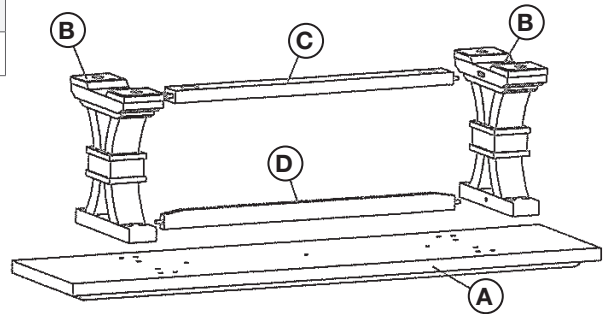


ASSEMBLY INSTRUCTIONS | DEVON BENCH

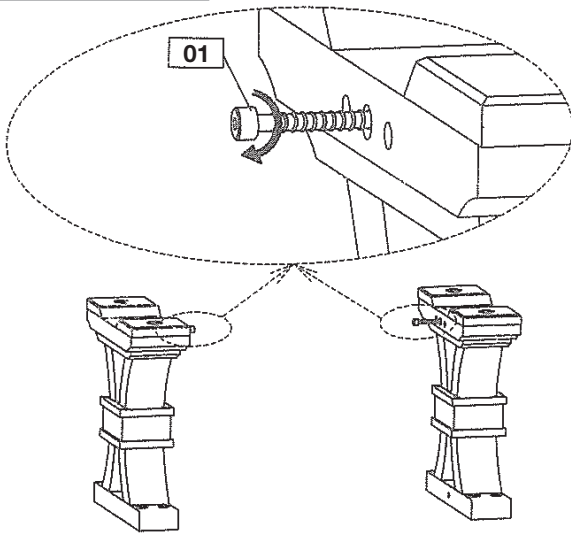
HARDWARE CHECKLIST		
01		Cap Screw (2pcs)
02		U Washer (2pcs)
03		Big Allen Bolt (8pcs)
04		Big Spring Washer (8pcs)
05		Big Flat Washer (8pcs)
06		Small Allen Bolt (3pcs)
07		Small Spring Washer (3pcs)
08		Small Flat Washer (3pcs)
09		Dowels (4pcs)
10		Allen Key (1pc)

PARTS	
A	Bench Top (1pc)
B	Leg Frame (2pcs)
C	Stretcher Bar (1pc)
D	Support Bar (1pc)

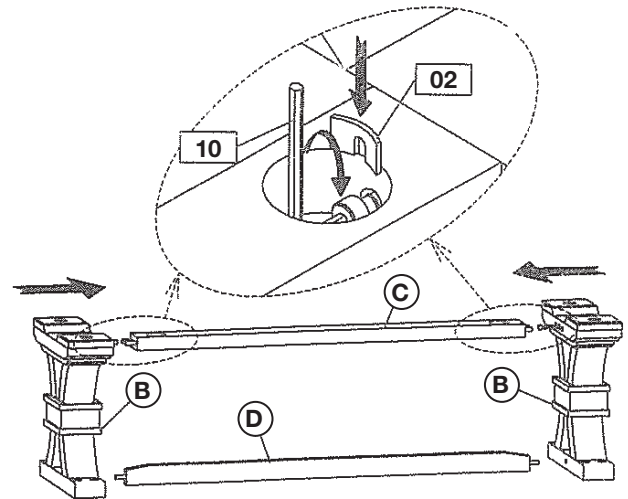
Please do not begin assembly or discard any packaging until you have checked that all the parts and hardware are present.



Step 1



Step 2



Step 3

