
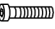



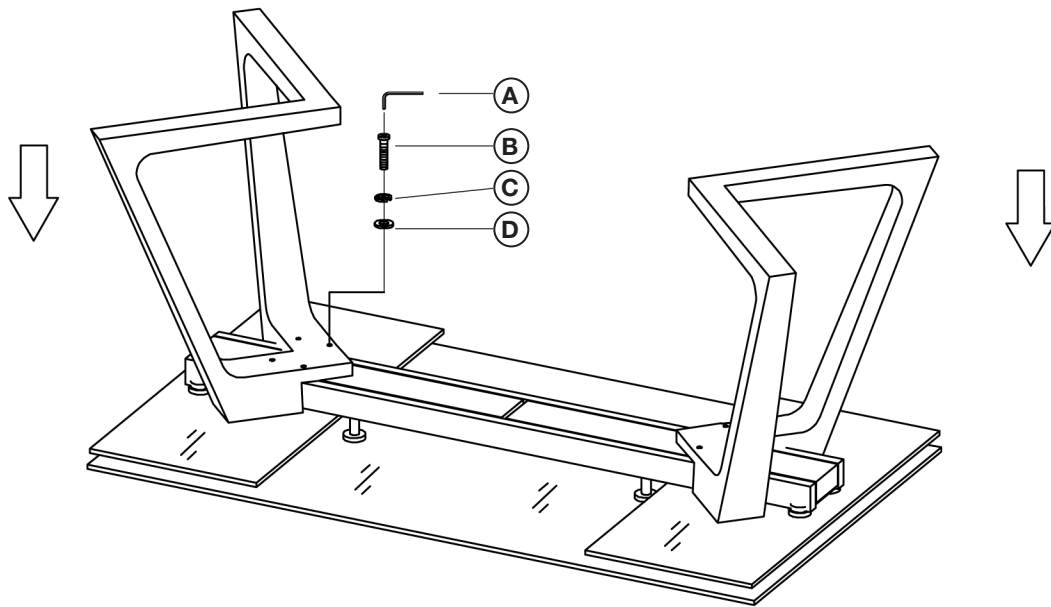


# ASSEMBLY INSTRUCTIONS | AXEL EXTENSION DINING TABLE

| HARDWARE CHECKLIST |   |                         |
|--------------------|---|-------------------------|
| A                  |  | Allen Key 5mm (1pc)     |
| B                  |  | Bolt M8x35 (8pcs)       |
| C                  |  | Spring Washer ø8 (8pcs) |
| D                  |  | Washer ø8 (8pcs)        |

**IMPORTANT:** This unit requires at minimum 2 people to assemble 

## Step 1



## Finish

