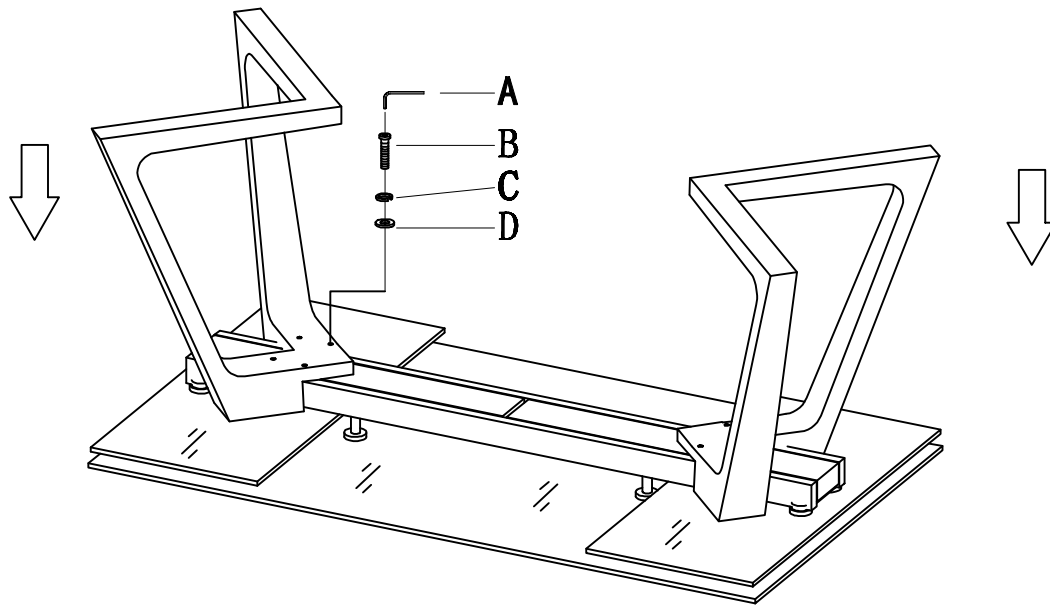


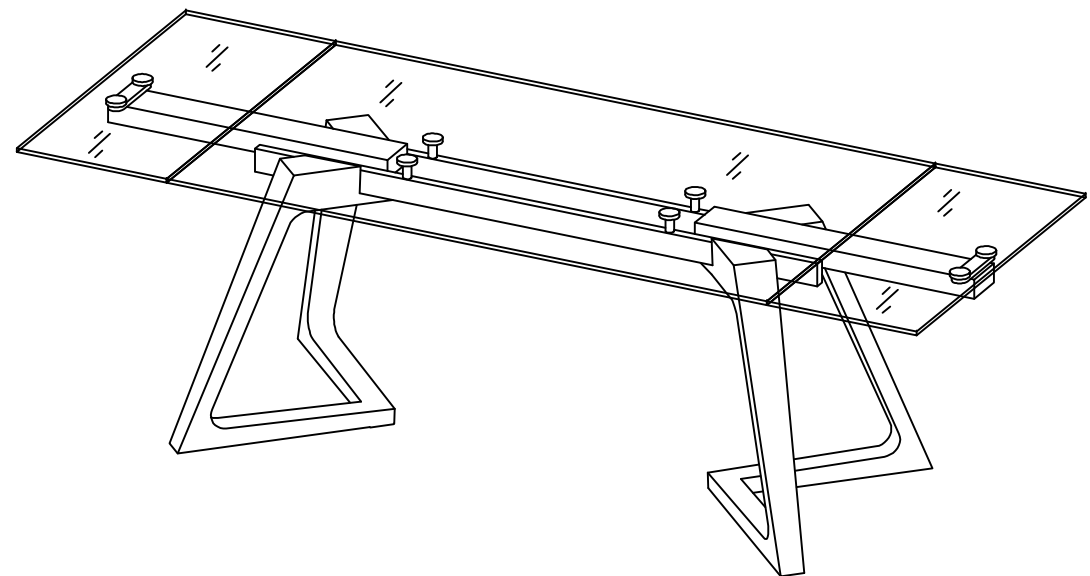
# Assembly Instruction



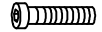

MODEL:AXEL EXT DT. 1602

## STEP 1



**FINISHED**



D	Ø8		8
C	Ø8		8
B	M8x35		8
A	5mm		1
NO.	SIZE	DIAGRAM	QTY