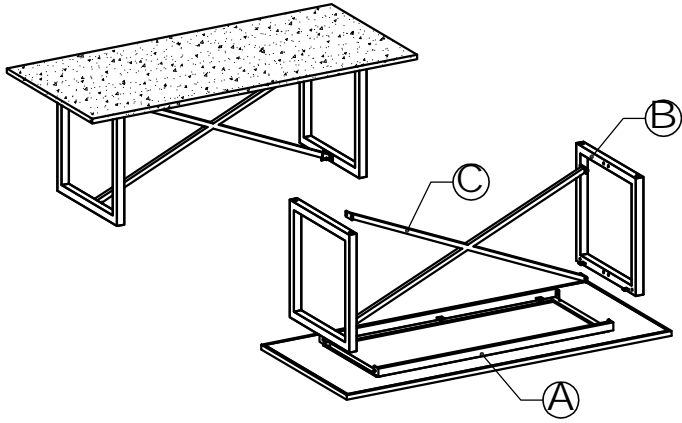


# ASSEMBLY INSTRUCTIONS

## CARRERA DINING TABLE



### Parts Check List

Code	Components	Qty
Ⓐ	TABLE TOP	x01
Ⓑ	METAL LEG	x02
Ⓒ	X STRETCHER	x01

### Hardware Check List

Code	Description	Qty
01	Pan head allen bolt M8x20	x12
02	Jcbc M6x20	x04
03	Spring washer M6	x04
04	Flat washer M6	x04
05	Allen key M4	x01
06	Allen key M5	x01

- PLEASE DO NOT DISCARD ANY OF THE PACKAGING UNTIL YOU HAVE CHECKED ALL THE PARTS AND THE PACKS OF HARDWARE.  
 - BEFORE YOU BEGIN TO ASSEMBLE YOUR NEW PIECE OF FURNITURE, PLEASE CHECK TO ENSURE THAT ALL PARTS HAVE BEEN SUPPLIED.  
 - FOLLOW INSTRUCTIONS CLOSELY AS DEVIATION FROM THEM MAY VOID YOUR WARRANTY AND PRESENT A POSSIBLE SAFETY RISK.  
 - IT IS RECOMMENDED THAT ASSEMBLY IS DONE ON A SOFT SURFACE LIKE CARPET TO AVOID ANY DAMAGE.  
 - PERIODICALLY CHECK AND RE-TIGHTEN ANY FASTENERS. WIPE DOWN ALL SURFACES WEEKLY WITH A CLEAN CLOTH. DO NOT CLEAN ANY SURFACES WITH HARSH ABRASIVES OR CHEMICALS.

