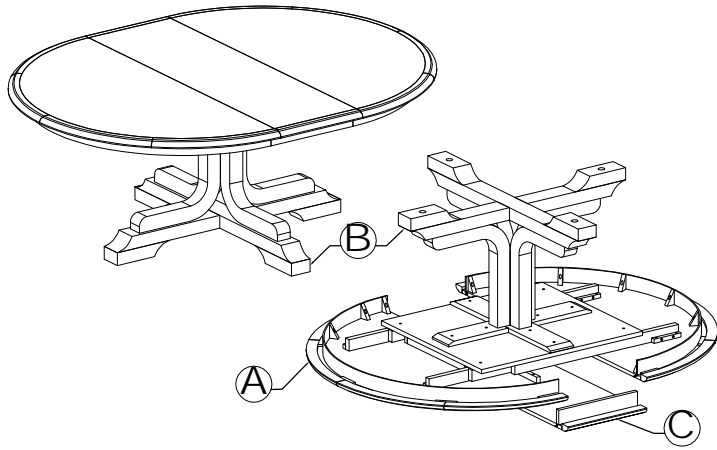


# ASSEMBLY INSTRUCTIONS

## TORREY 60" ROUND EXTENSION DINING TABLE



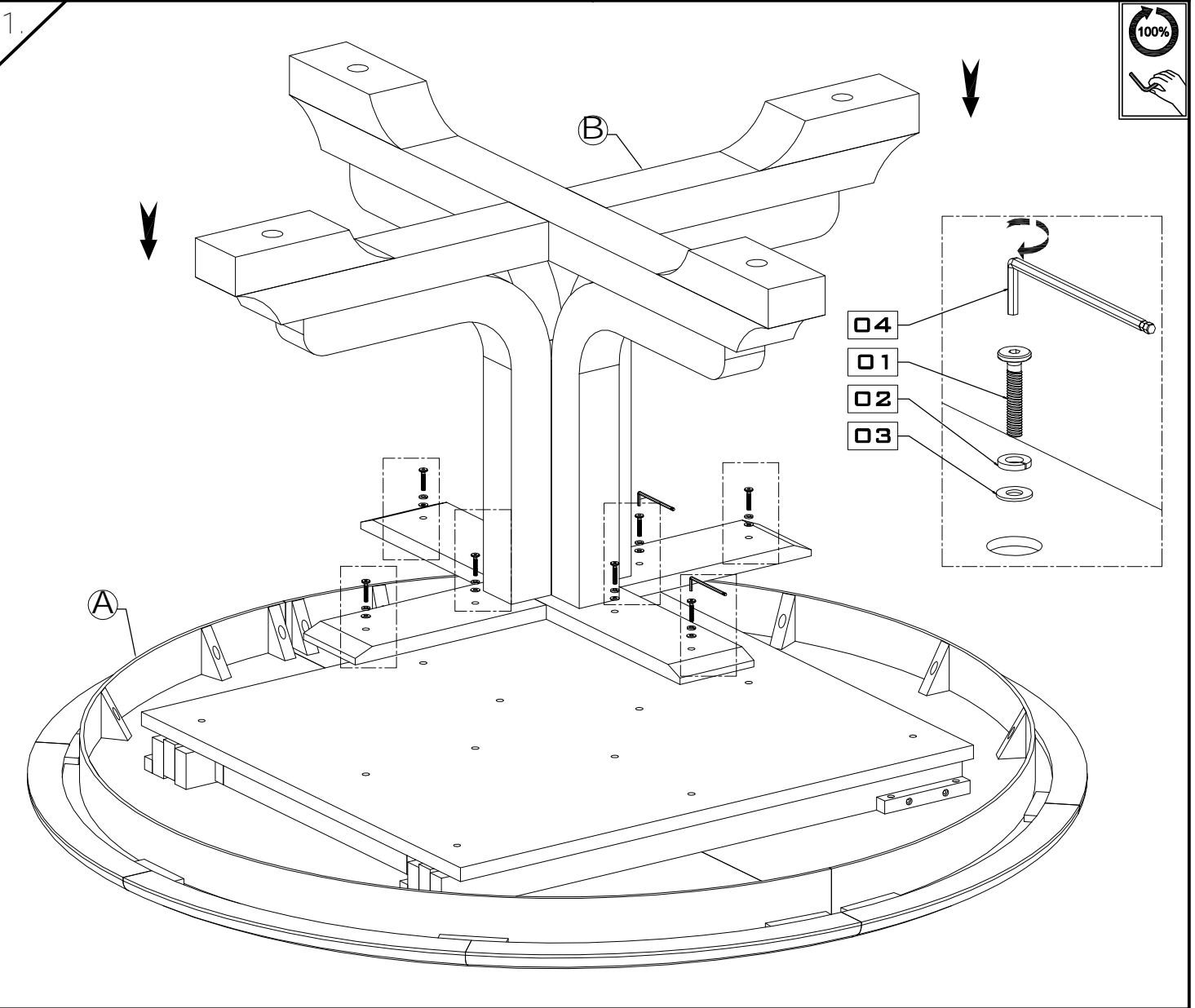
### PARTS CHECK LIST

CODE	COMPONENTS	QTY
Ⓐ	TABLE TOP	x01
Ⓑ	LEG	x01
Ⓒ	LEAF TOP	x01

### HARDWARE CHECK LIST

CODE	DESCRIPTION	QTY
01	Allen bolt	x08
02	Spring washer	x08
03	Flat washer	x08
04	Allen key	x01

- PLEASE DO NOT DISCARD ANY OF THE PACKAGING UNTIL YOU HAVE CHECKED ALL THE PARTS AND THE PACKS OF HARDWARE.  
 - BEFORE YOU BEGIN TO ASSEMBLE YOUR NEW PIECE OF FURNITURE, PLEASE CHECK TO ENSURE THAT ALL PARTS HAVE BEEN SUPPLIED.  
 - FOLLOW INSTRUCTIONS CLOSELY AS DEVIATION FROM THEM MAY VOID YOUR WARRANTY AND PRESENT A POSSIBLE SAFETY RISK.  
 - IT IS RECOMMENDED THAT ASSEMBLY IS DONE ON A SOFT SURFACE LIKE CARPET TO AVOID ANY DAMAGE.  
 - PERIODICALLY CHECK AND RE-TIGHTEN ANY FASTENERS. WIPE DOWN ALL SURFACES WEEKLY WITH A CLEAN CLOTH. DO NOT CLEAN ANY SURFACES WITH HARSH ABRASIVES OR CHEMICALS.

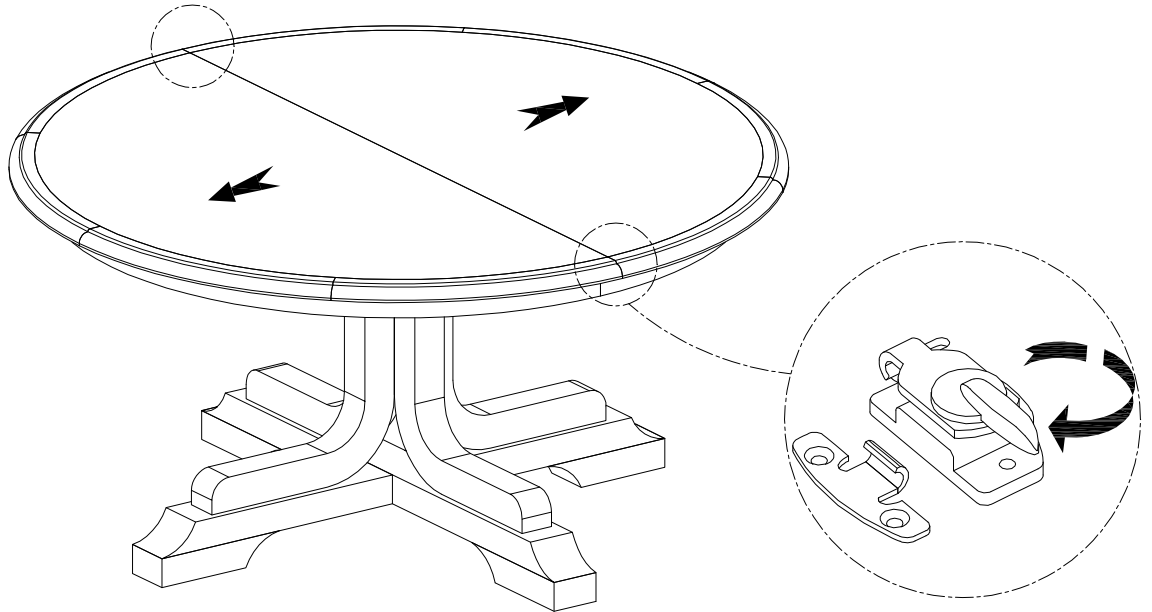


# ASSEMBLY INSTRUCTIONS

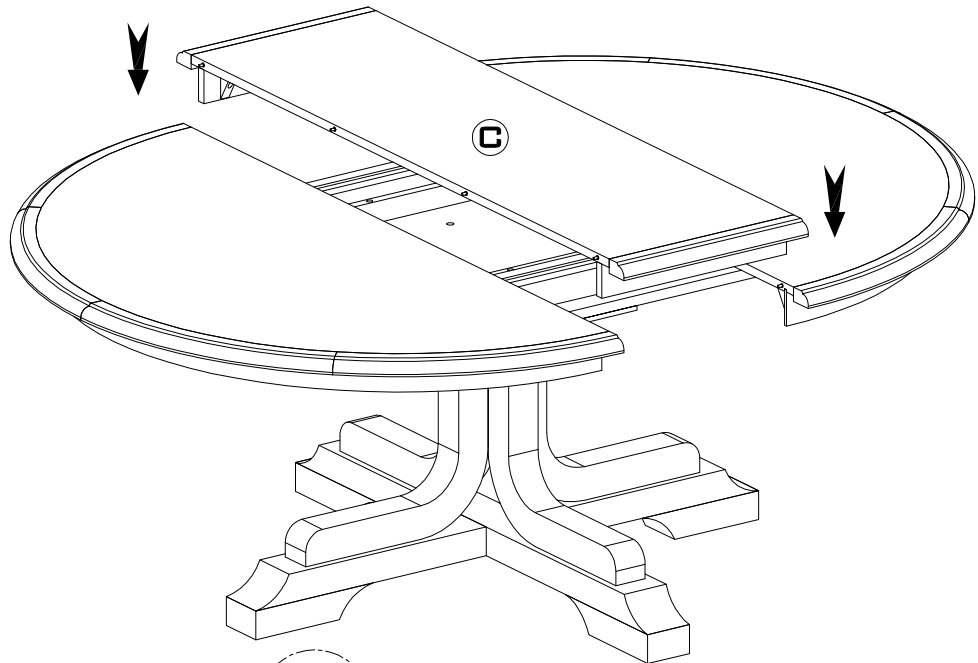
## TORREY 60" ROUND EXTENSION DINING TABLE

2.

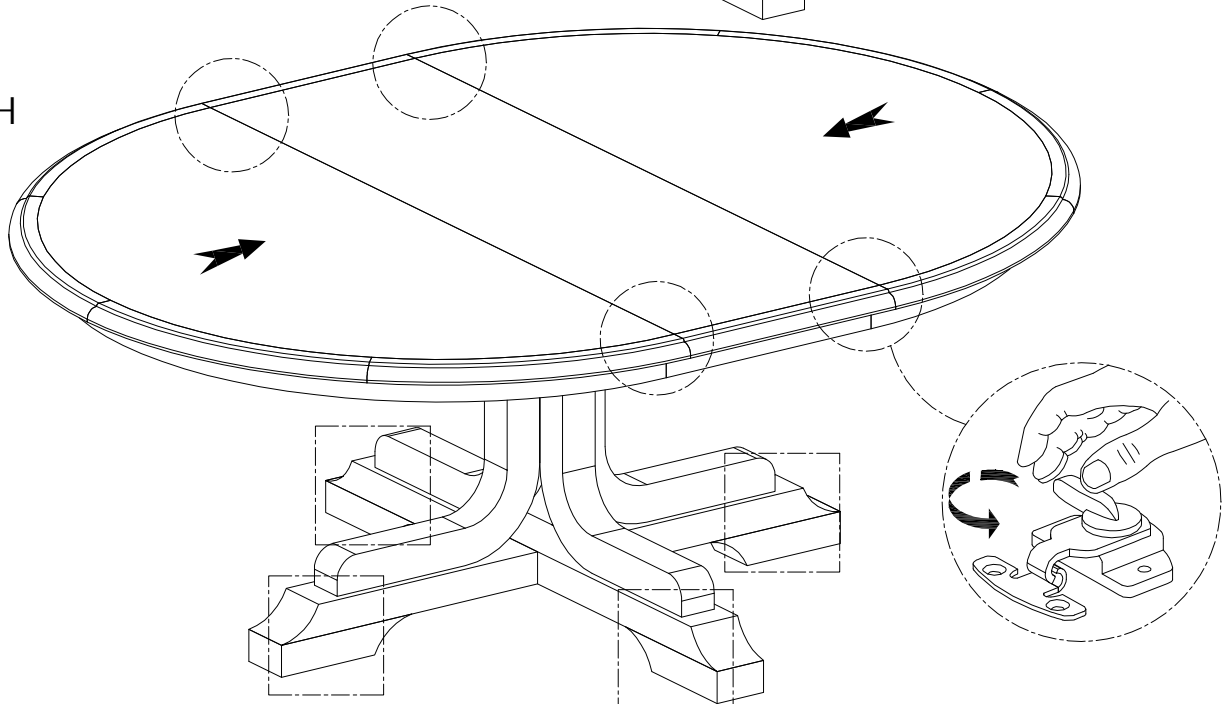
CLOSE



OPEN



FINISH



ADJUST  
FEET LEVELERS

