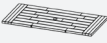

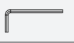









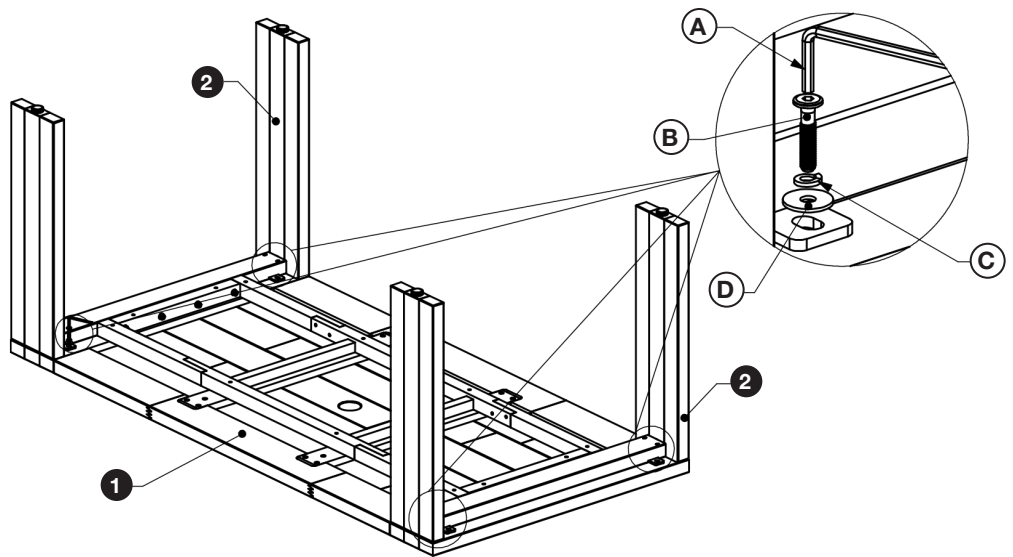
ASSEMBLY INSTRUCTIONS | SUR OUTDOOR DINING TABLE

PARTS CHECKLIST		
1		Table Top (1pc)
2		Base Legs (2pcs)

HARDWARE CHECKLIST		
A		Hex Key L4 (1pc)
B		JCBC Bolt M6x30mm (8pcs)
C		Spring Washer M6xø11mm (8pcs)
D		Flat Washer M6xø18mm (8pcs)
E		Hex Bolt M8xø60mm (8pcs)
F		Spring Washer M8xø14mm (8pcs)
G		Flat Washer M8xø24mm (8pcs)
H		Wrench 13 (1 pc)

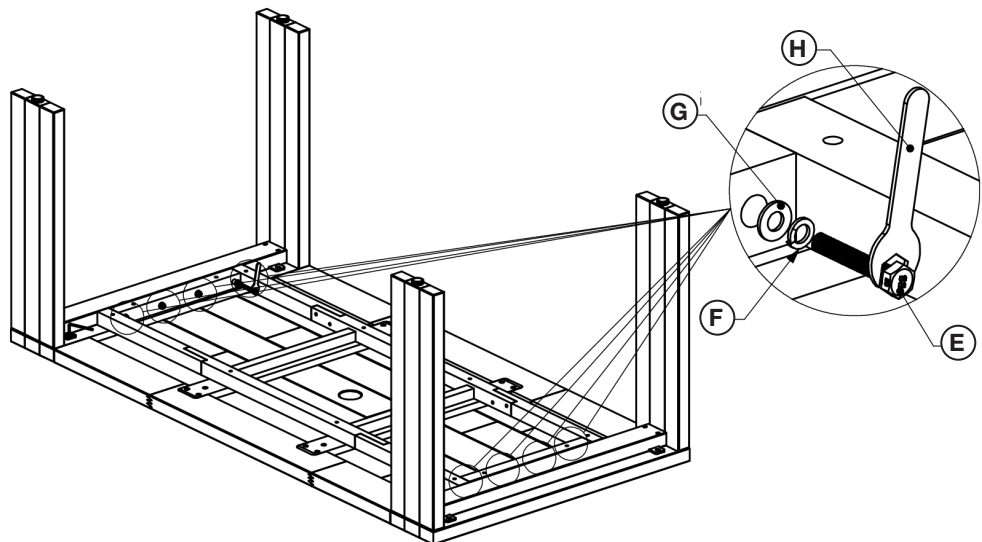
Step 1

Place the legs onto the table top and insert the bolts. Do not tighten the bolts until all the bolts are inserted.



Step 2

Insert the remaining bolts into the base of the legs and tighten all bolts.



ASSEMBLY INSTRUCTIONS | SUR OUTDOOR DINING TABLE

Finish

